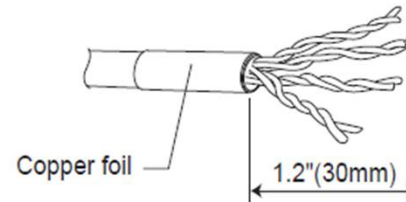
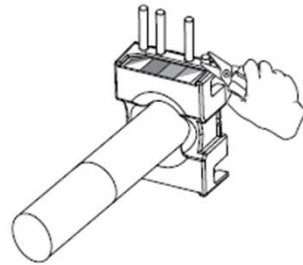


①

Strip off 1.2 inch of a cable jacket and fold braid back over it. Cut off aluminum foil for each pair, and use a supplied copper foil shield surrounding a cable.

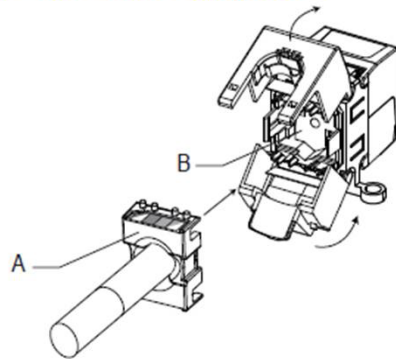


②

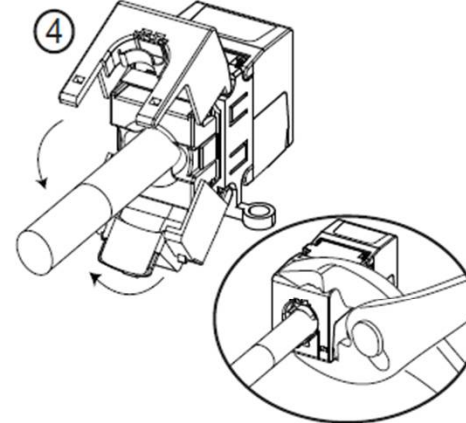


Insert a cable into the termination cap and fan out all four twisted pairs. Following the instruction of the color-coded wire position printed on the termination cap, position conductors into the slots and make sure the conductors are in the proper slot. Trim the ends of the conductors.

③

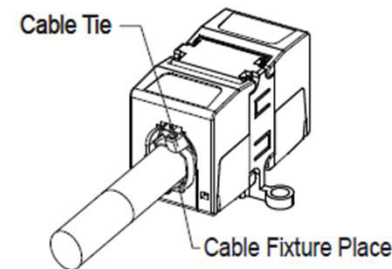


Make sure the wire cap color (A) is identical to IDC housing (B). Install the termination cap to outlet, which will also allocate the conductors sitting on the slots.



Secure the hinged outlet by using a crimp tool until it completely snap to effect the connection.

⑤



Fasten a cable tie wrap to secure the cable fixture place.