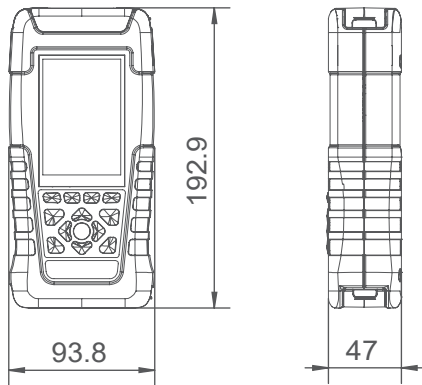




OTDR MINI

- 3.5 inch color LCD, portable design and easy to carry.
- Support 10mw VFL, stable laser source, optical power meter, RJ45 line sequence test, Fiber link map and other functions.
- Accurately test all kinds of continuous connectors and attenuation points in the fiber line.
- 28dB dynamic range support over 100km optical fiber measurement.
- OTDR testing and curve view analysis can be controlled through the mobile phone app.



Items	Specifications
Fiber Type	SMF
Wavelength	1310±20nm/1550±20nm
Distance Range	1km, 2km, 5km, 10km, 20km, 40km, 80km, 120km
Pulse Width	3ns/5ns/10ns/30ns/50ns/100ns/275ns/500ns/1us/2us/5us/10us/20us
Event Dead-zone①	≤1m
Attenuation Dead-zone①	≤4m
IOR Setting	1.000~1.999
Sampling Points	64000
Sampling Resolution	0.05m (1km)
Distance Accuracy	±(1m+Test distance×3×10 ⁻⁵ +Sampling resolution) (excluding IOR uncertainty)
Loss Accuracy	0.1dB
Linearity	0.1dB
Reflectance Accuracy	±2dB
VFL	Working wavelength: 650±10nm Output power: 10mW, CW/1Hz/2Hz
Stable OLS	Working wavelength: 1310±20nm/1550±20nm Output power: >-13dBm, CW/270Hz/1kHz/2kHz
Normal OPM	Calibrated wavelength: 850/1300/1310/1490/1550/1625/1650nm Test range: -70~+10dBm

Items	Specifications
RJ45 Test	RJ45 line sequence test according to TIA568-A or TIA568-B standard
Optical Interface	OTDR: standard FC/UPC, optional SC/UPC, FC/APC, SC/APC VFL: 2.5mm universal port OLS: share the OTDR port OPM: 2.5mm universal port
Electrical Interface	RJ45 port×2, RJ45 remote module USB Type-C charging port and data port
Wireless	Bluetooth (only for OTDR 10 MINI)
Mobilephone APP	Android system (only for OTDR 10 MINI)
Data Storage	Pluggable 8GB micro SD card
Battery	5000mAh lithium battery
Working Temp	-10°C~+50°C
Humidity	0~85%(non condensing)
Dimension	192.9L×93.8W×47Hmm
Weight	0.57kg

Notes

1: Deadzone test conditions: event deadzone return loss>-45dB, attenuation deadzone return loss >-55dB.

2: The product shell color is optional orange/purple/blue.

3: Bluetooth and mobilephone app/ online upgrade is only for OTDR 10 MINI

Model	Wavelength	Dynamic Range	Dead-zone
OTDR 10 MINI 22/20	1310/1550nm	22/20dB	1/4m
OTDR 10 MINI	1310/1550nm	28/26dB	1/4m