



Asymmetrical Horn Antenna TP

ASYMMETRICAL HORN ANTENNA WITH TWISTPORT™ CONNECTOR

HG3-TP-A20-30, HG3-TP-A60, HG3-TP-A90



Asymmetrical Horn TP

Overview

	Product ID	Dimensions	Weight	Gain
20° - 30° Horn HG3-TP-A20-30	HG3-TP-A20-30	393x347x318 mm	6.3 Kg 13.8 lbs	20.5 dBi
60° Horn HG3-TP-A60	HG3-TP-A60	448x342x282 mm	6.5 Kg 14.3 lb	17.0 dBi
90° Horn HG3-TP-A90	HG3-TP-A90	416x391x302 mm	7.2 Kg 15.8 lbs	16.0 dBi



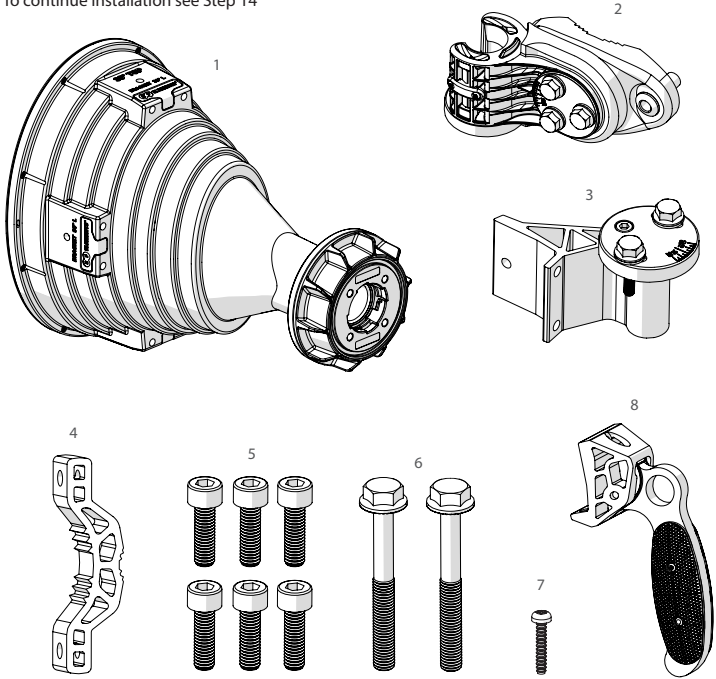
**ALL HARDWARE STAINLESS STEEL
USE ANTI-SEIZE THREAD LUBRICANT**

Estimation based on pre-production units. Subject to change.

Asymmetrical Horn TP

Package Contents for: HG3-TP-A20-30 Antenna

To continue installation see Step 14

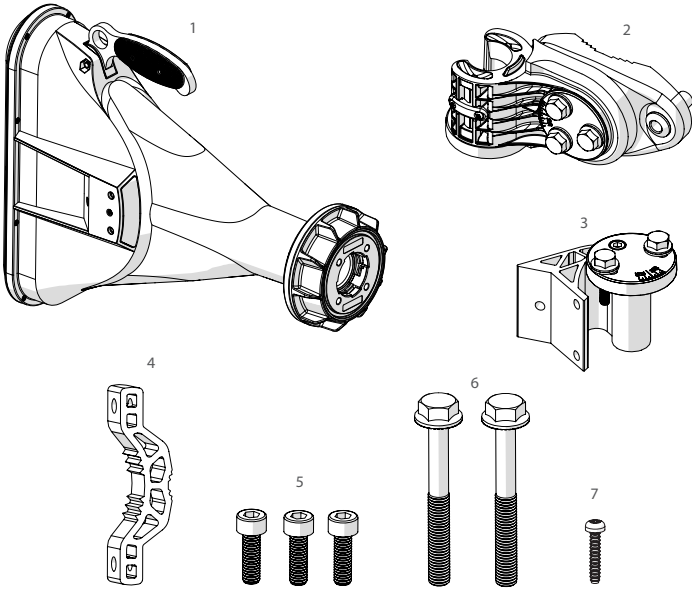


Number	Description	Quantity
1	AH-TP Body	1x
2	AH-TP Bracket Base	1x
3	AH-TP Bracket Arm	1x
4	AH-TP Bracket	1x
5	M6 x 20mm Screw	6x
6	M8 x 75mm Screw	2x
7	2,9 x 16 mm Lock Screw	1x
8	AH-TP Handle	1x

Asymmetrical Horn TP

Package Contents for: HG3-TP-A60 and HG3-TP-A90 Antennas

To continue installation see Step 1



Number	Description	Quantity
1	AH-TP Body	1x
2	AH-TP Bracket Base	1x
3	AH-TP Bracket Arm	1x
4	AH-TP Bracket	1x
5	M6 x 20mm Screw	3x
6	M8 x 75mm Screw	2x
7	2,9 x 16 mm Lock Screw	1x

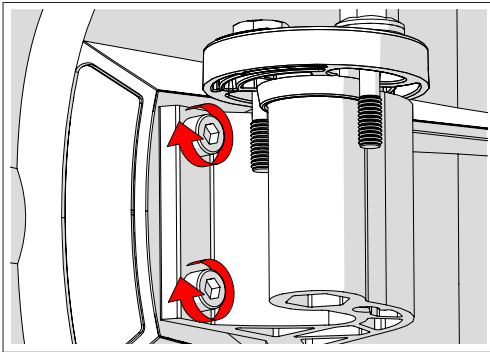
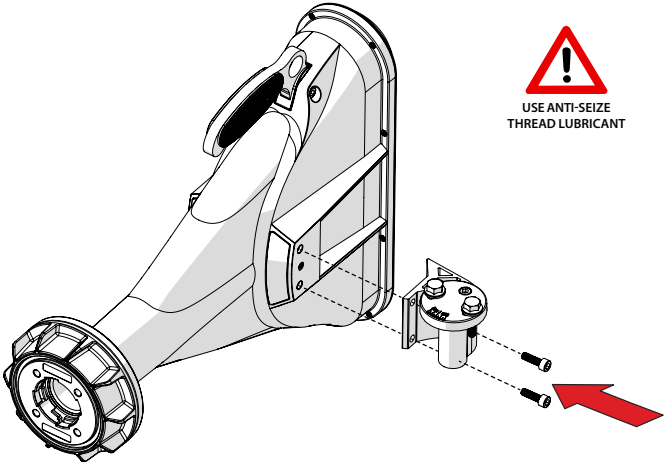
Model HG3-TP-A60 shown. Package Contents are identical for HG3-TP-A90.
Antenna dimensions may differ.

Asymmetrical Horn TP

Step 1

Pre - Installation

Assembly shown here is for the installation on the left side of the pole.
If you need to swap to use the right side of the pole, see step 10.

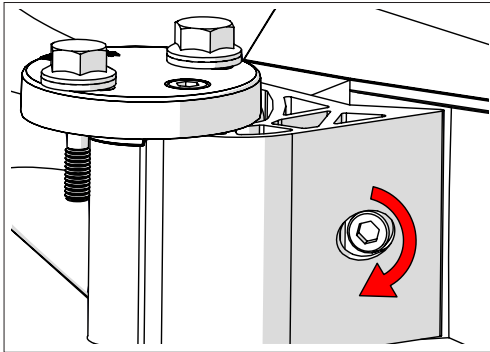
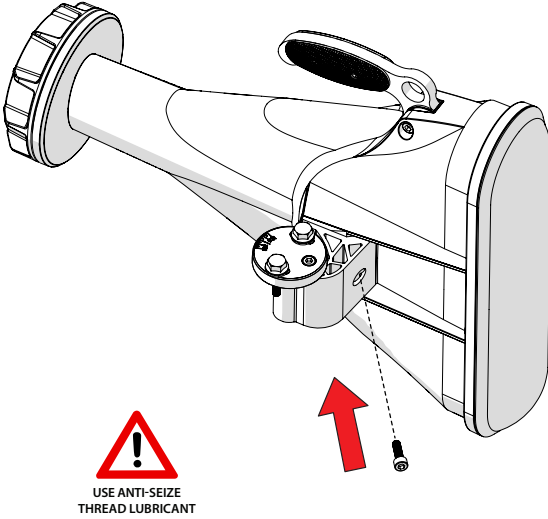


Model HG3-TP-A60 shown. Installation instructions are identical for other Asymmetrical Horn models. Antenna dimensions may differ.

Asymmetrical Horn TP

Step 2

Pre - Installation

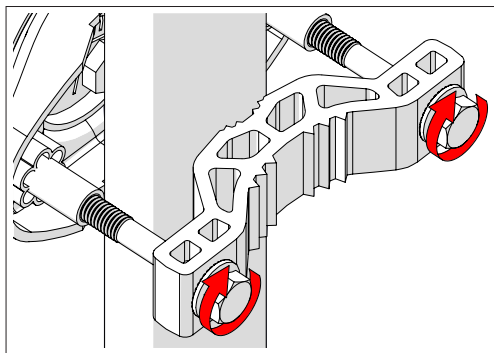
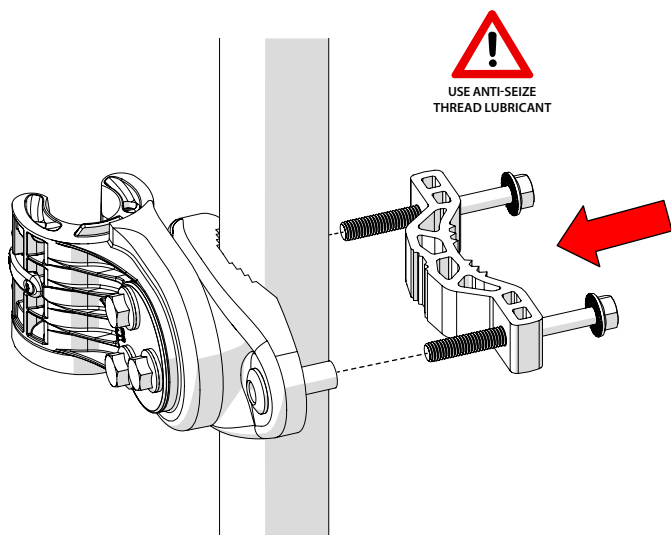


Model HG3-TP-A60 shown. Installation instructions are identical for other Asymmetrical Horn models. Antenna dimensions may differ.

Asymmetrical Horn TP

Step 3

Installation Guide



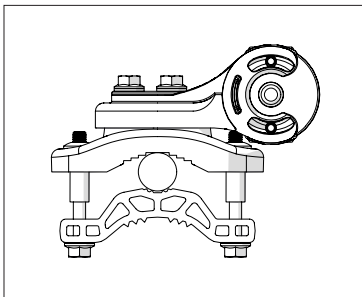
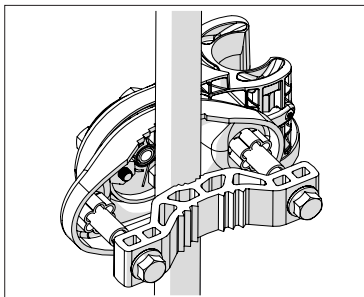
Model HG3-TP-A60 shown. Installation instructions are identical for other Asymmetrical Horn models. Antenna dimensions may differ.

Asymmetrical Horn TP

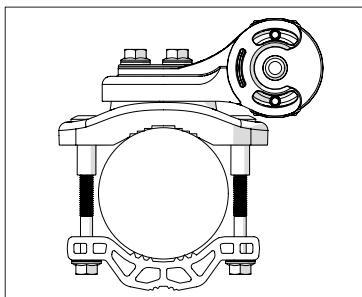
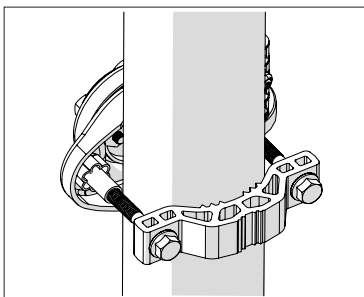
Step 4

Installation Guide

Place the AH-TP Bracket like this for pole diameter of 22 - 49mm



Place the AH-TP Bracket like this for pole diameter of 50 - 80mm

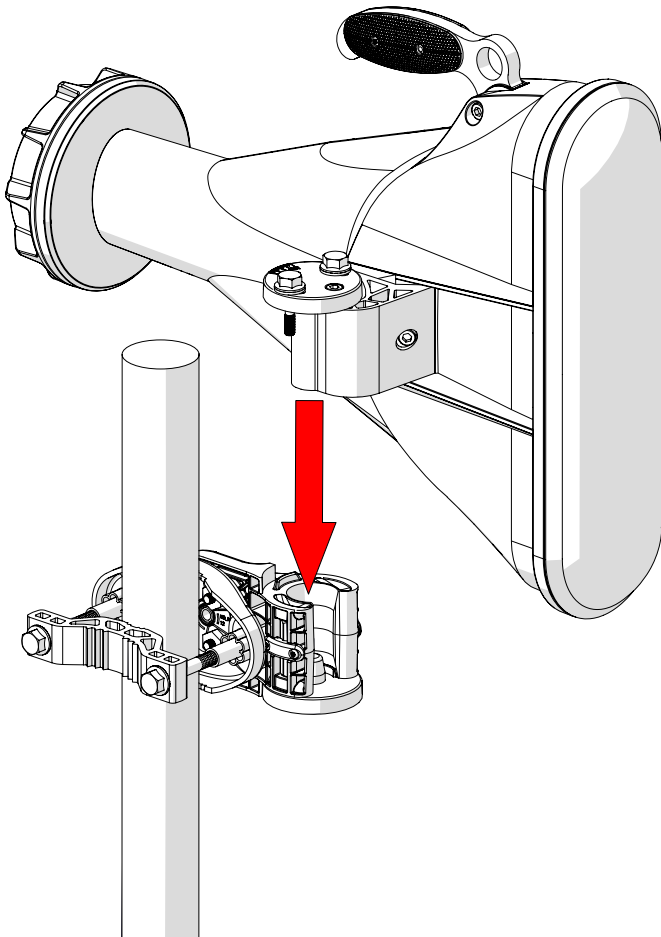


Model HG3-TP-A60 shown. Installation instructions are identical for other Asymmetrical Horn models. Antenna dimensions may differ.

Asymmetrical Horn TP

Step 5

Installation Guide

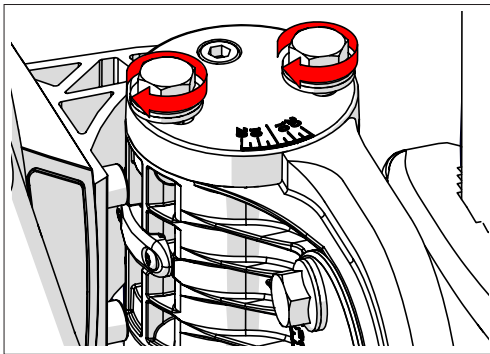
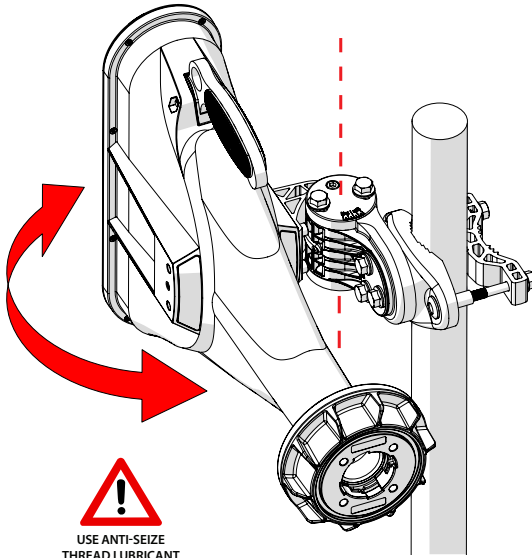


Model HG3-TP-A60 shown. Installation instructions are identical for other Asymmetrical Horn models. Antenna dimensions may differ.

Asymmetrical Horn TP

Step 6

Installation Guide

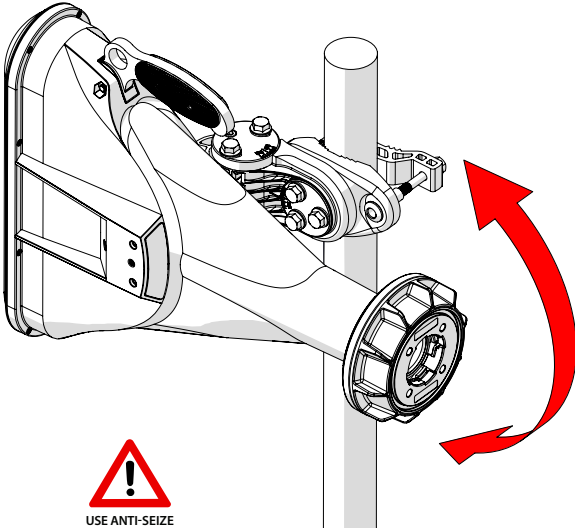


Model HG3-TP-A60 shown. Installation instructions are identical for other Asymmetrical Horn models. Antenna dimensions may differ.

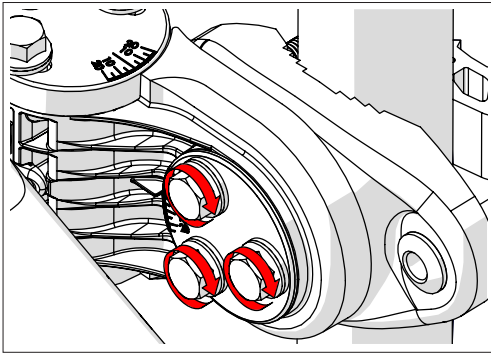
Asymmetrical Horn TP

Step 7

Installation Guide



USE ANTI-SEIZE
THREAD LUBRICANT

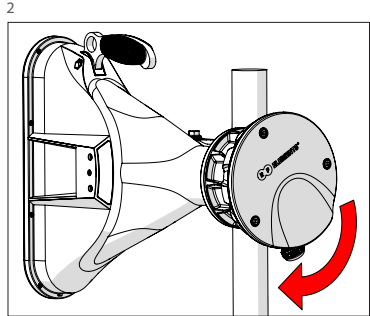
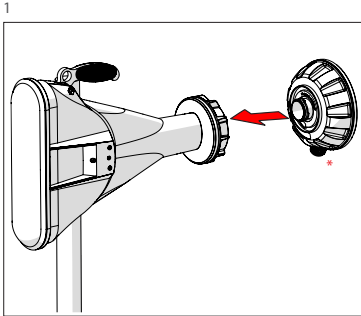


Model HG3-TP-A60 shown. Installation instructions are identical for other Asymmetrical Horn models. Antenna dimensions may differ.

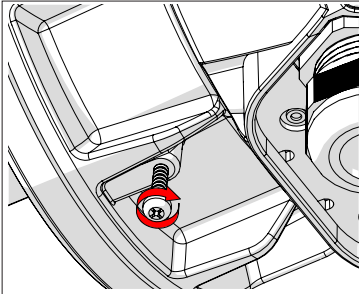
Asymmetrical Horn TP

Step 8

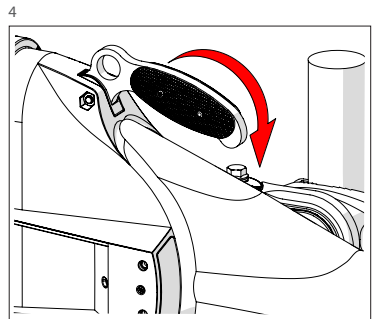
Installation Guide



3 **Optional:** Install the 2.9 x 16mm locking screw.



Tighten the locking screw to secure the TwistPort™ lock mechanism.



* TwistPort™ Adaptor or SIMPER™ Radio sold separately.

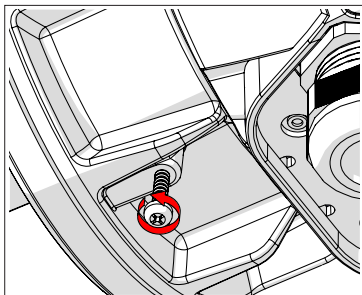
Model HG3-TP-A60 shown. Installation instructions are identical for other Asymmetrical Horn models. Antenna dimensions may differ.

Asymmetrical Horn TP

Step 9

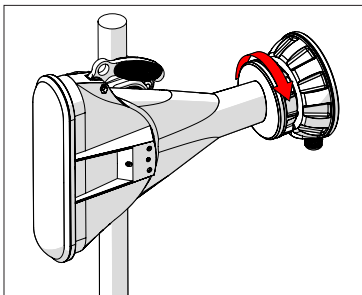
Uninstallation Guide

1 If the locking screw was used,

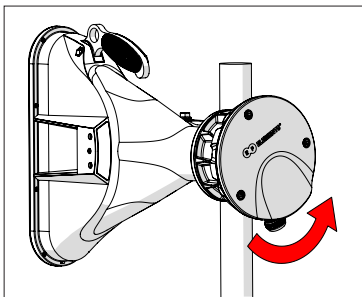


unscrew it by about 10 mm before unlocking the TwisPort™ mechanism.

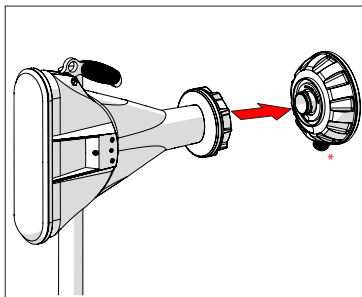
2



3



4



* TwisPort™ Adaptor or SIMPER™ Radio sold separately.

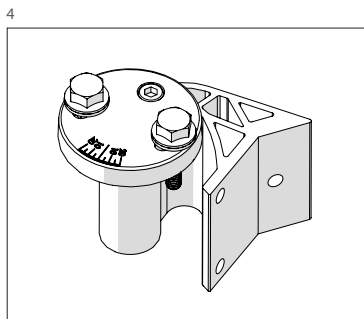
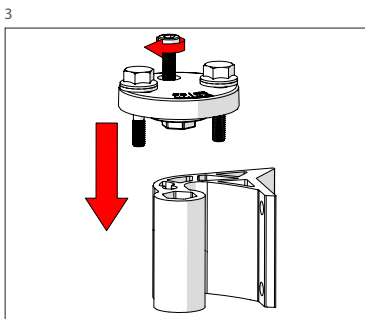
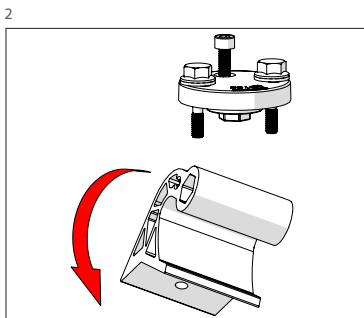
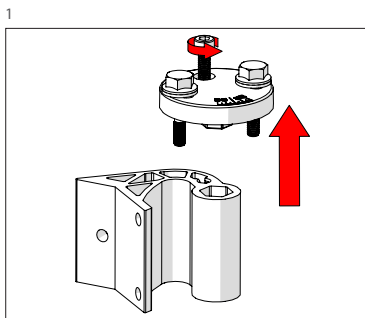
Model HG3-TP-A60 shown. Installation instructions are identical for other Asymmetrical Horn models. Antenna dimensions may differ.

Asymmetrical Horn TP

Step 10

Pre - Installation

Optional: Right side of the pole mounting.



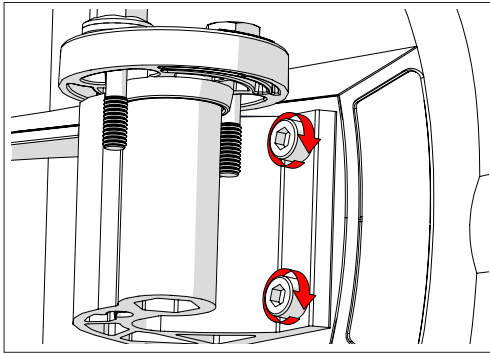
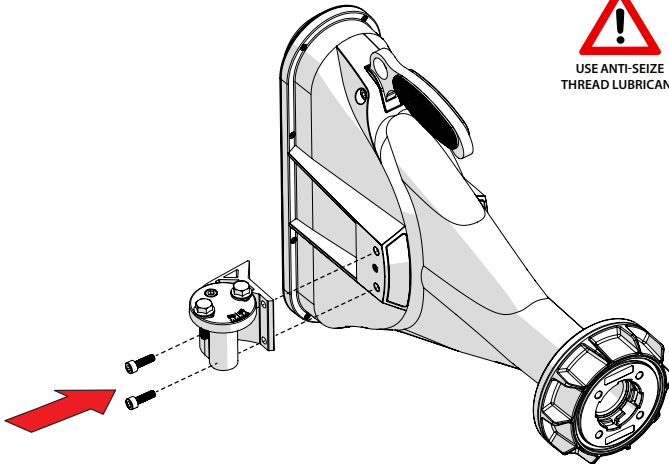
Model HG3-TP-A60 shown. Installation instructions are identical for other Asymmetrical Horn models. Antenna dimensions may differ.

Asymmetrical Horn TP

Step 11

Pre - Installation

Optional: Right side of the pole mounting.



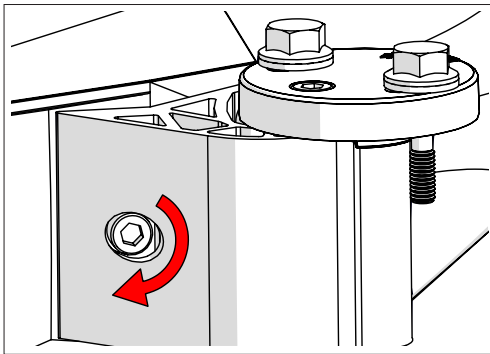
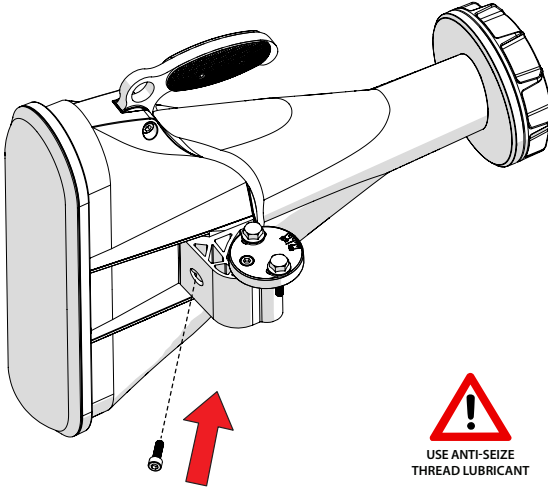
Model HG3-TP-A60 shown. Installation instructions are identical for other Asymmetrical Horn models. Antenna dimensions may differ.

Asymmetrical Horn TP

Step 12

Pre - Installation

Optional: Right side of the pole mounting.



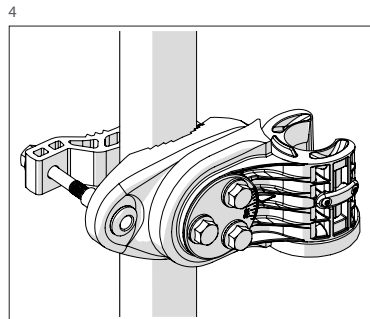
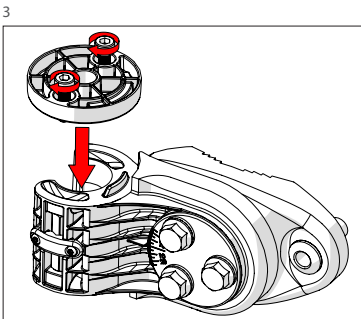
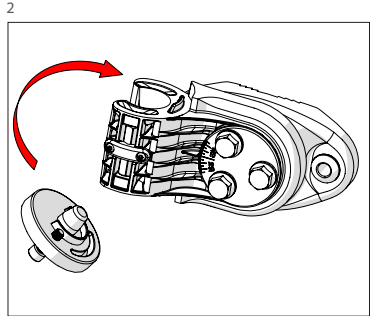
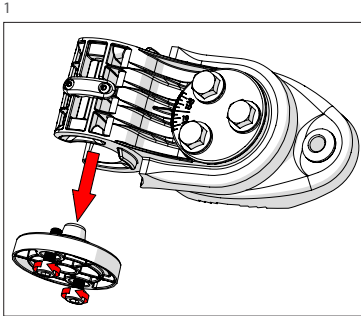
Model HG3-TP-A60 shown. Installation instructions are identical for other Asymmetrical Horn models. Antenna dimensions may differ.

Asymmetrical Horn TP

Step 13

Pre - Installation

Optional: Right side of the pole mounting.



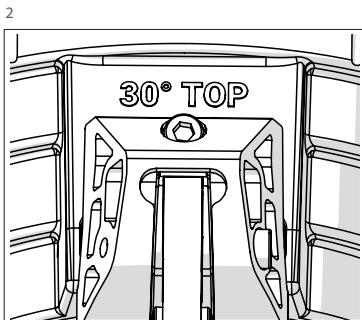
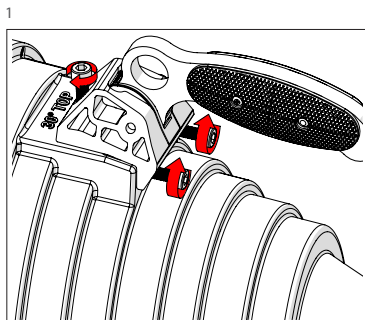
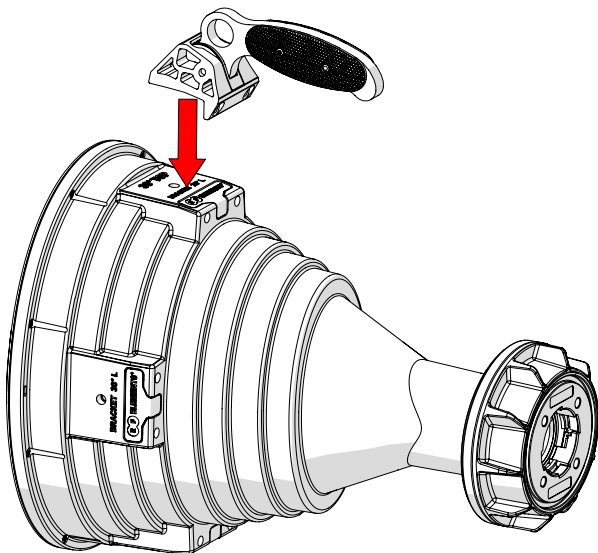
Model HG3-TP-A60 shown. Installation instructions are identical for other Asymmetrical Horn models. Antenna dimensions may differ.

Asymmetrical Horn TP

Step 14

Pre - Installation - This step applies only to the HG3-TP-A20-30 Antenna.

30° Azimuth and 20° Elevation setup. To continue installation see Step 1.



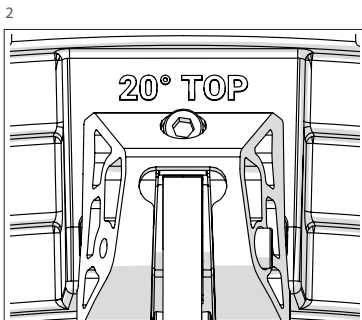
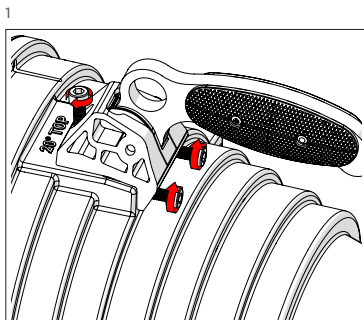
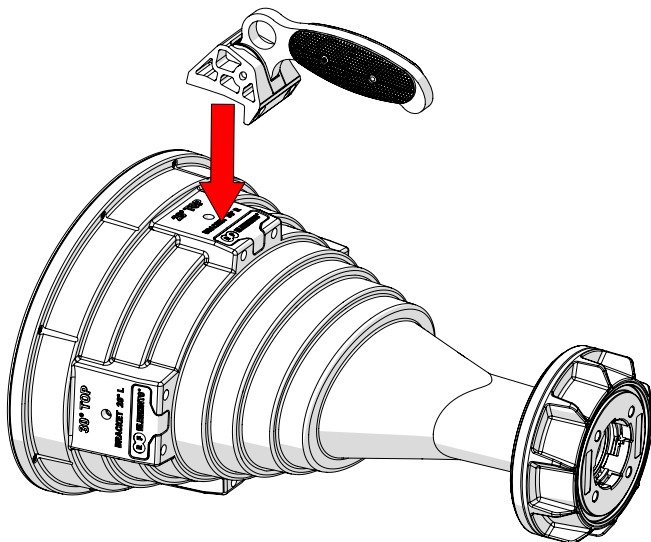
USE ANTI-SEIZE
THREAD LUBRICANT

Asymmetrical Horn TP

Step 15

Pre - Installation - This step applies only to the HG3-TP-A20-30 Antenna.

20° Azimuth and 30° Elevation setup. To continue installation see Step 1.



USE ANTI-SEIZE
THREAD LUBRICANT

Compatible Devices

RF elements®

any TwistPort™ Adaptor

any SIMPER™ Radio with TwistPort™ connector



RF elements®, SIMPER™ and TwistPort™
are trademarks of RF elements s.r.o., Humenne, Slovakia.

All rights of trademark owners reserved.



RF elements s.r.o.
Phone: +421 2 3260 3711
info@rfelements.com
www.rfelements.com