

# RoHS COMPLIANT

## Overview

Bandwidth: 250MHz  
 OD: 1.6±0.15\*6.5±0.2mm  
 Conductor: 36AWG  
 Approvals: RoHS  
 Connector: 3U"gold plated RJ45 connector

## Physical Characteristics

- Cable Type – Cat6 STP
- Connector Type(s) – Gold Plated Shielded 8P8C (RJ45)
- Wiring Scheme – T568A or T568B
- Temperature Rating
  - Installation: 0°C~50°C
  - Operation: -20°C~60°C
- Voltage Rating – 30V

## Conductor (Qty. 4 twisted pair)

- Conductor Type – 36AWG(7/0.05), Stranded Bare Copper
- Insulation – HDPE
- Diameter – 0.51±0.05mm
- Pair Identification:
  - Pair1=Orange, Orange-White
  - Pair2=Blue, Blue-White
  - Pair3=Green, Green-White
  - Pair4=Brown, Brown-White

## Connector Type (Qty. 2)

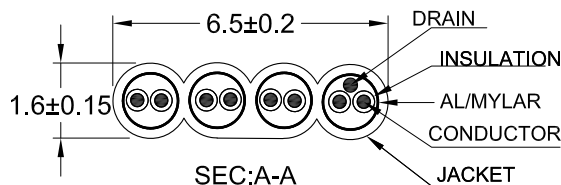
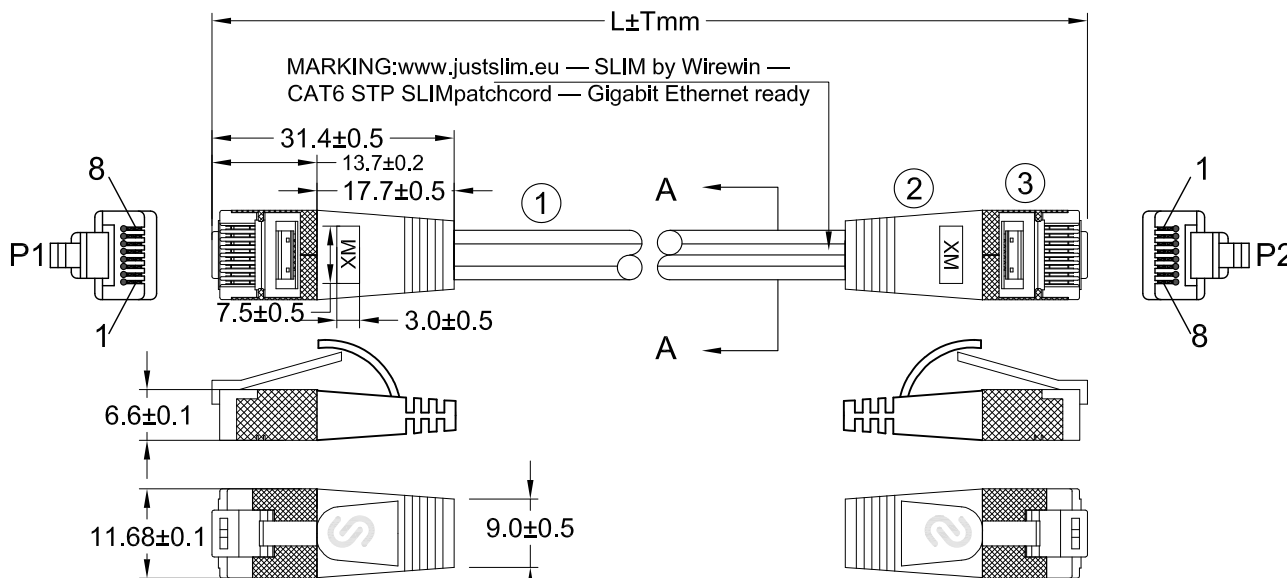
- Connector Type – Shielded 8P8C (RJ45)
- Gender – Male
- Connector Material – PC
- Contact Material – Copper Alloy, Gold Plating 3U"

## Overall Cable

- Jacket – PVC
- Minimum Average Thickness – 0.30mm
- Outer Diameter – 1.6±0.15\*6.5±0.2mm

## Electrical Characteristics

- Conductor DC Resistance – 85.0Ω/100m (maximum)
- Impedance – 100Ω
- Capacitance – 5600pf/100m
- Propagation Delay – 545ns/100m (maximum)
- Delay Skew – 45ns/100m (maximum)
- PASS TIA Fluke Cat. 6 Channel Test(L≤7.5m);  
 10-20m Channel Test;25-30m Open Short Test.



P1	P2 T568B
1	1 WHITE/ORANGE
2	2 ORANGE
3	3 WHITE/GREEN
4	4 BLUE
5	5 WHITE/BLUE
6	6 GREEN
7	7 WHITE/BROWN
8	8 BROWN
S	S SHIELDED

CUSTOMER P/N	LENGTH(mm)	TOLERANCE	METER MARK
PKW-STP-SLIM-KAT6 0.1	100	-0/+20mm	0.1M
PKW-STP-SLIM-KAT6 0.15	150	-0/+20mm	0.15M
PKW-STP-SLIM-KAT6 0.25	250	-0/+20mm	0.25M
PKW-STP-SLIM-KAT6 0.5	500	-0/+20mm	0.5M
PKW-STP-SLIM-KAT6 0.75	750	-0/+20mm	0.75M
PKW-STP-SLIM-KAT6 1.0	1000	-0/+30mm	1M
PKW-STP-SLIM-KAT6 1.5	1500	-5/+30mm	1.5M
PKW-STP-SLIM-KAT6 2.0	2000	-10/+30mm	2M
PKW-STP-SLIM-KAT6 3.0	3000	-20/+30mm	3M
PKW-STP-SLIM-KAT6 5.0	5000	-20/+30mm	5M
PKW-STP-SLIM-KAT6 7.5	7500	-20/+30mm	7.5M
PKW-STP-SLIM-KAT6 10.0	10000	-50/+50mm	10M
PKW-STP-SLIM-KAT6 15.0	15000	-50/+50mm	15M
PKW-STP-SLIM-KAT6 20.0	20000	-50/+50mm	20M
PKW-STP-SLIM-KAT6 25.0	25000	-50/+50mm	25M

ITEM NO:	PKW-STP-SLIM-KAT6 XX	DRAWER DATE	FW
TITLE		CHECKED DATE	ACE
CUSTOMER		APPROVED DATE	20230426
MATERIAL	SCALE		
REV.	A	UNIT	MM
DRAWING NO:	60S0P16650706HB 2307---90917084		
ACAD FILE	E:\		



NO.	SPECIFICATION	Q'TY
3	RJ45 PLUG: 8P8C 3U" BRASS GOLD PLATED TWO-PIECE SHORT BODY LONG LATCH PLUG; NICKEL-PLATED SHELL.	
2	MOLDED: PVC MOLDED BOOT .	
1	CABLE: CAT6 STP [36AWG(7/0.05 BC)+AL/MYLAY] *3+[36AWG(7/0.05 BC)+D+AL/MYLAY] *1 OD=1.6±0.15*6.5±0.2mm PVC JACKET.	
BOM LIST		