

DS-1227ZJ-P1

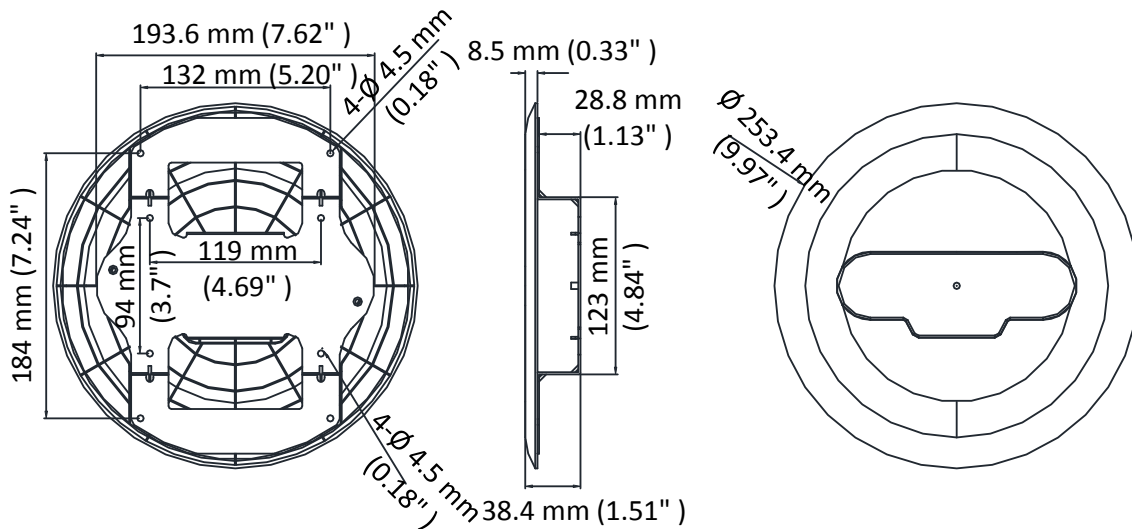
Inceiling Mount



Feature

- Metal plate & plastic with surface spray treatment
- Easy installation method

Dimension



Available Model

DS-1227ZJ-P1

Parameter

Model	DS-1227ZJ-P1
Parameters	Inceiling Mount
Appearance	Hikvision White
Material	Metal Plate & Plastic
Dimension	Ø 253.4 mm × 38.4 mm (Ø 9.97" × 1.51")
Weight	460 g (1.01 lb.)

Note

- The mount should be installed in the flat ceiling.
- The ceiling must be capable of supporting at least 3 times as much as the total weight of the camera, and the mount.
- The mount's maximum load capacity is 1 kg (2.2 lb.).