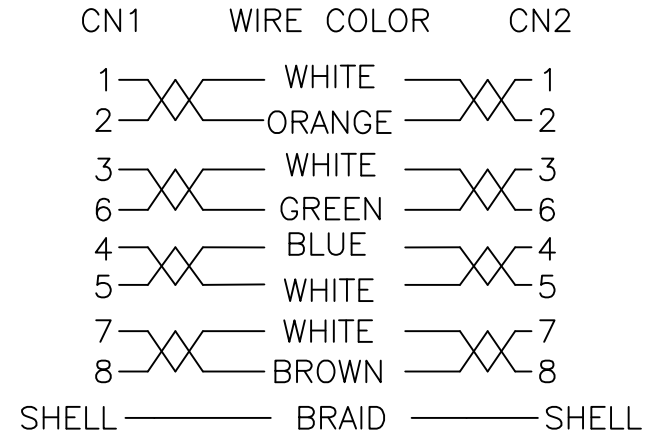


MATERIAL LIST:

NO.	PARTS NAME	SPECIFICATION DESCRIPTION
①	CABLE	S/FTP [(BC 7/0.148±0.005)*1PR+A]*4+B(AL-MG)+LSOH OD:5.6±0.3mm COLOR:Assorted upon request
②	RJ45 CONNECTOR	RJ45,8P8C,TWO FORK GOLD PLATED CONTACTS YELLOW TRANSPARENT WITH METAL HOUSING
③	MOLDING PVC	MOLDING PVC 45P COLOR:Assorted upon request

PIN OUT



Marking: Wirewin® High Quality SSTP CAT6A 10Gigabit Patchcable - LSZH HALOGEN FREE - C 100% TESTED

ELECTRONIC TEST:

A.OPEN/SHORT/INTERMITTENCE: 100%.



REMARK NO	CHA.NO	SIGNATURE	DATE	SIGN			W.T	SCALE	S/FTP CAT6A LSOH
DRAWN BY	Renzhi								ITEM NO. (PKW-PIMF-KAT6AXXX)
CHECKED BY									
AUDITED BY		APPROVED BY		PAGE			OF		
CRAFT		DATE	2019.06.17						