

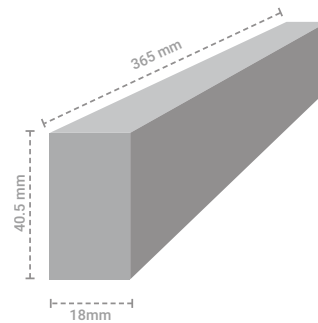
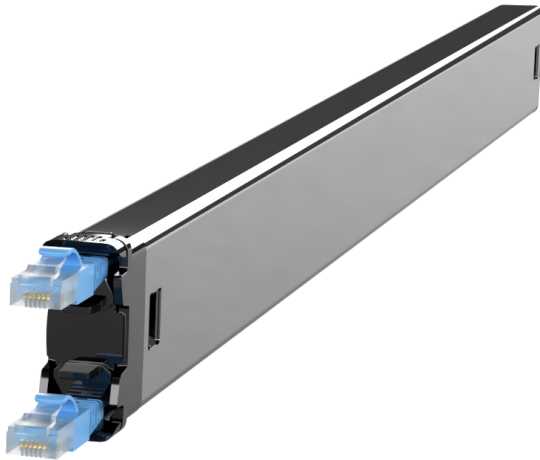
# PATCHBOX Plus<sup>+</sup>

PATCHBOX Simplify IT

Network with  
Confidence

5  
YEAR

WARRANTY



## PATCHBOX Plus+ Cassettes STP / UTP

### TECHNICAL SPECIFICATIONS

#### STP CABLE

Cat.6 STP shielded, 250MHz, AWG36,  
100% stranded copper, PVC jacket, 10Gbit ready

#### UTP CABLE

Cat.6 UTP unshielded, 250MHz, AWG30,  
100% stranded copper, PVC jacket, 10Gbit ready

#### CONNECTOR

RJ45 shielded plug, pins gold plated, snagless booted

#### CABLE LENGTH

1.7m covers 26RU

#### CASSETTE PROFILES

Stainless steel, laser-welded

#### PLASTIC PARTS

Polyoxymethylene POM

#### OPERATING TEMPERATURE RANGE

+10°C - +45°C

#### AMBIENT HUMIDITY NON-CONDENSING

10% - 95%

#### GROSS WEIGHT

0.4kg

#### PACKAGING DIMENSIONS

69mm x 50mm x 50mm WxDxH

#### HS-CODE

8544 4210

#### MADE IN THE EU

#### FOR CUSTOMERS IN AUSTRALIA & NEW ZEALAND:

STP patch cords are compliant with AS/CA S008:2010  
A1:2014

### ITEMS INCLUDED

1 x PATCHBOX Plus+ STP / UTP Cassette with  
Cat.6 cable

### STP - SHIELDED VARIANTS

PRODUCT CODE	CABLE COLOR
C60STPXC6XXX1K	Black
C60STPXC6XXX1B	Blue
C60STPXC6XXX1G	Green
C60STPXC6XXX1R	Red
C60STPXC6XXX1W	White
C60STPXC6XXX1Y	Yellow
C60STPXC6XX1GY	Grey
C60STPXC6XXX1V	Violet

### UTP - UNSHIELDED VARIANTS

PRODUCT CODE	CABLE COLOR
C60UTPXC6XXX1K	Black
C60UTPXC6XXX1B	Blue
C60UTPXC6XXX1G	Green
C60UTPXC6XXX1R	Red
C60UTPXC6XXX1W	White
C60UTPXC6XXX1Y	Yellow
P60UTPXC6XX24V	Violet

[patchbox.com](http://patchbox.com)

All rights reserved. Specifications subject to change. E&OE. © PATCHBOX. PATCHBOX GmbH, Hernalser Gürtel 1/12, 1170 Vienna, Austria. +43 1 99 71 960, mail@patchbox.com, www.patchbox.com. © PATCHBOX 2020

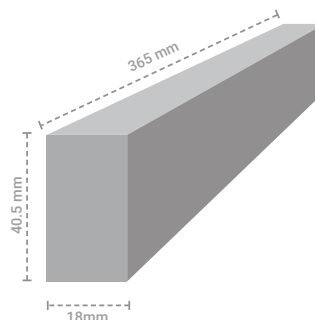
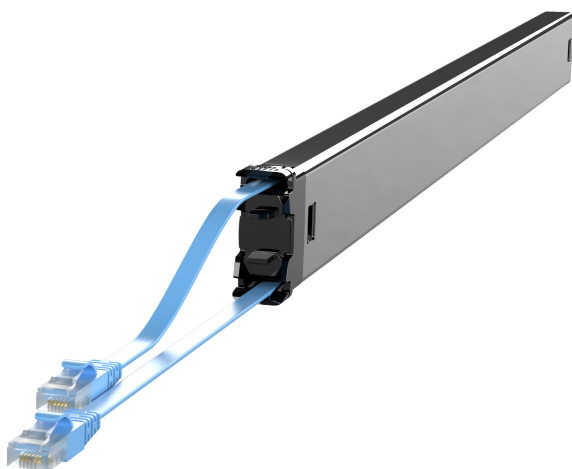
# PATCHBOX Plus<sup>+</sup>

PATCHBOX Simplify IT

Network with  
Confidence

5  
YEAR

WARRANTY



## PATCHBOX Plus+ Long Range Cassettes - STP / UTP

### TECHNICAL SPECIFICATIONS

#### STP CABLE

Cat.6 STP shielded, 250MHz, AWG36,  
100% stranded copper, PVC jacket, 10Gbit ready

#### UTP CABLE

Cat.6 UTP unshielded, 250MHz, AWG30,  
100% stranded copper, PVC jacket, 10Gbit ready

#### CONNECTOR

RJ45 shielded plug, pins gold plated, snagless booted

#### CABLE LENGTH

2.7m extractable / 1m over, length non-retractable,  
covers 48RU from mid-mid

#### CASSETTE PROFILES

Stainless steel, laser-welded

#### PLASTIC PARTS

Polyoxymethylene POM

#### OPERATING TEMPERATURE RANGE

+10°C - +45°C

#### AMBIENT HUMIDITY NON-CONDENSING

10% - 95%

#### GROSS WEIGHT

0.42kg

#### PACKAGING DIMENSIONS

69mm x 50mm x 50mm WxDxH

#### HS-CODE

8544 4210

#### MADE IN THE EU # FOR CUSTOMERS IN AUSTRALIA & NEW ZEALAND:

STP patch cords are compliant with AS/CA S008:2010  
A1:2014

### ITEMS INCLUDED

- 1 x PATCHBOX Plus+ STP / UTP  
Long Range Cassette with Cat.6 cable

### STP - SHIELDED VARIANTS

PRODUCT CODE	CABLE COLOR
C60STPXC6XX31K	Black
C60STPXC6XX31B	Blue
C60STPXC6XX31G	Green
C60STPXC6XX31R	Red
C60STPXC6XX31W	White
C60STPXC6XX31Y	Yellow
C60STPXC6X31GY	Grey
C60STPXC6XX31V	Violet

### UTP - UNSHIELDED VARIANTS

PRODUCT CODE	CABLE COLOR
C60UTPXC6XX31K	Black
C60UTPXC6XX31B	Blue
C60UTPXC6XX31G	Green
C60UTPXC6XX31R	Red
C60UTPXC6XX31W	White
C60UTPXC6XX31Y	Yellow
C60UTPXC6XX31V	Violet