

DS-D6032FN-B

Indoor Wall-Mounted Digital Signage

The digital signage is used to broadcast information, release news, advertise products, etc., which is widely applicable to industry of entertainment, finance, traffic, etc.



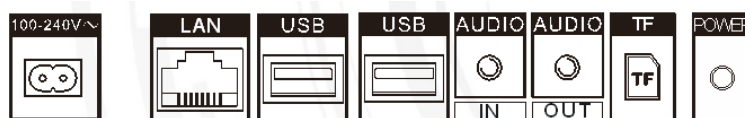
- Plastic shell appearance, slim frame, and all-in-one design.
- Exquisite image, industrial A+ panel, auto-coloring and image-enhancing engine.
- Variable materials, static and dynamic materials, including the pictures, audio, video, scrolling subtitle, PDF, webpages, live video, number calling, pop-up pictures, etc.
- Flexible program schedule, free schedules and district play of multiple materials and variable play modes: play by day, play by week, play by loop, custom play, etc.
- Centralized management, remotely control and manage one screen or more screens, such as timed startup/shutdown, quick startup/shutdown, brightness/volume timed adjustment, and screenshot preview, remotely release programs and updates local (USB) programs.
- Organization permission, 5-level organization is available for managing materials, programs, terminals, and users, and support creating custom users, allocating permission for users according to user level, and permission templates.
- Multiple security safeguards, 3-level check of materials, programs and schedules to prevent mistake release, encryption of data in storage and transmission to prevent data tampering, and with no default password, users can activate and set initial password to guarantee the password safety.



▪ Specification

Model	DS-D6032FN-B	
Display	Viewing angle	178°(H)/178°(V)
	Contrast ratio	1200:1
	Screen size	31.5 inch
	Active display area	698.4 (H) mm × 392.85 (V) mm
	Backlight	ELED
	Pixel pitch	0.36375 mm × 0.36375 mm
	Resolution	1920 × 1080@60 Hz
	Brightness	380 cd/m ²
	Color depth	8 bit, 16.7M
	Response time	8 ms
	Color gamut	68% NTSC
	Reliability	7 × 24h
	Refresh rate	60 Hz
Built-in System	Operation System	Android 6.0.1
	Processor	Cortex-A17, 4-core, main frequency 1.8 GHz
	Memory	2 GB
	Built-in storage	8 GB EMMC, 32 GB TF Card
Interface	Video & audio input	AUDIO IN × 1
	Video & audio output	AUDIO OUT × 1, 8Ω 2 W loudspeaker × 2
	Network interface	LAN × 1, Wi-Fi
	Data transmission interface	USB 2.0 × 2, TF Card × 1
Power	Standby Power	≤ 10W
	input voltage	100 to 240 VAC, 50/60 Hz
	Consumption	≤ 75 W
Working Environment	Operation Temperature	0 °C to 40 °C (32 °F to 104 °F)
	Operation Humidity	10% to 80% RH
	Storage temperature	-20 °C to 60 °C (-4 °F to 140 °F)
	Storage humidity	10% to 80% RH
General	Material type	DAT, MPG, VOB, TS, AVI, MKV, MP4, MOV, 3GP, TS, FLV, WEBM, ASF, MP1, MP2, MP3, WMA, WAV, OGG, OGA, FLAC, ACC, M4A, XMF, MXMF, RTTTL, RTX, OTA, IMY, JPG, JPEG, BMP, GIF, PNG
	Mounting Type	Wall-Mounted
	Product dimensions	723.24 (H) mm × 423.25 (V) mm × 61.5 (D) mm (with wall-mounted backboard) (28.47" × 16.66" × 2.42") 723.24 (H) mm × 423.25 (V) mm × 45.13(D) mm (without wall-mounted backboard) (28.47" × 16.66" × 1.78")
	Package dimensions	898 mm × 152 mm × 544 mm (35.35" × 5.98" × 21.42")
	Net weight	5.90 Kg (13.01 lb)
	Gross weight	8.60 Kg (18.96 lb)
	Accessory	Wall-mounted backboard × 1, screws M3 × 6, power cord × 1, remote control × 1, battery × 2, screw package × 1

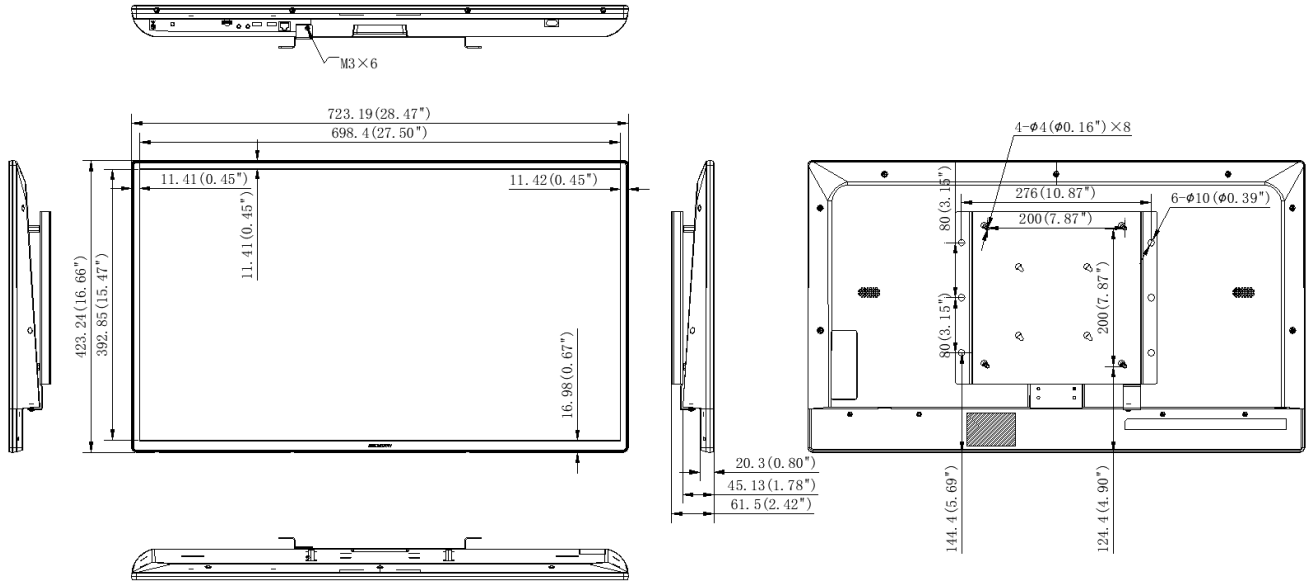
▪ Physical Interface



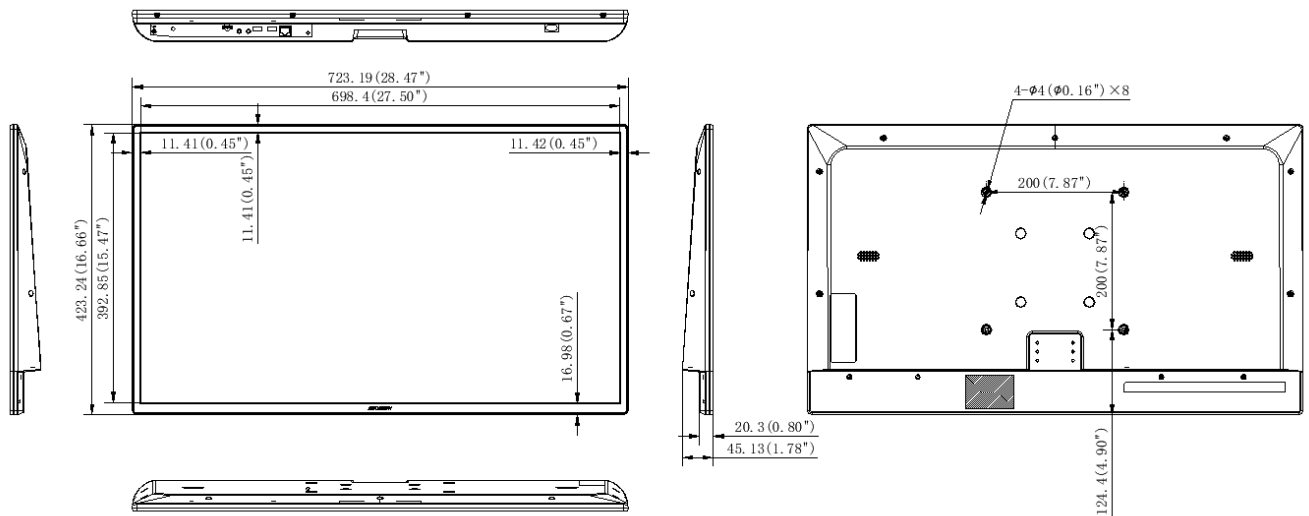
Interface	Description	Interface	Description
100-240V~	Power interface	AUDIO IN	Audio input
LAN	Network Interface	AUDIO OUT	Audio output
USB	USB 2.0 interface	TF	TF card slot
USB	USB 2.0 interface	POWER	Power switch

▪ **Dimension (unit: mm)**

With wall-mounted backboard:



Without wall-mounted backboard:



▪ **Available Model**

DS-D6032FN-B



Distributed by



HIKVISION®

Headquarters

No.555 Qianmo Road, Binjiang District,
Hangzhou 310051, China
T +86-571-8807-5998
overseasbusiness@hikvision.com

Hikvision USA

T +1-909-895-0400
sales.usa@hikvision.com

Hikvision Australia

T +61-2-8599-4233
salesau@hikvision.com

Hikvision India

T +91-22-28469900
sales@pramahikvision.com

Hikvision Canada

T +1-866-200-6690
sales.canada@hikvision.com

Hikvision Thailand

T +662-275-9949
sales.thailand@hikvision.com

Hikvision Europe

T +31-23-5542770
sales.eu@hikvision.com

Hikvision Italy

T +39-0438-6902
info.it@hikvision.com

Hikvision Brazil

T +55 11 3318-0050
Latam.support@hikvision.com

Hikvision Turkey

T +90 (216)521 7070- 7074
sales.tr@hikvision.com

Hikvision Malaysia

T +601-7652-2413
sales.my@hikvision.com

Hikvision UK & Ireland

T +01628-902140
sales.uk@hikvision.com

Hikvision South Africa

Tel: +27 (10) 0351172
sale.africa@hikvision.com

Hikvision France

T +33(0)1-85-330-450
info.fr@hikvision.com

Hikvision Kazakhstan

T +7-727-9730667
nikia.panfilov@hikvision.ru

Hikvision Vietnam

T +84-974270888
sales.vt@hikvision.com

Hikvision UAE

T +971-4-4432090
salesme@hikvision.com

Hikvision Singapore

T +65-6684-4718
sg@hikvision.com

Hikvision Spain

T +34-91-737-16-55
info.es@hikvision.com

Hikvision Tashkent

T +99-87-1238-9438
uzb@hikvision.ru

Hikvision Hong Kong

T +852-2151-1761
info.hk@hikvision.com

Hikvision Russia

T +7-495-669-67-99
saleru@hikvision.com

Hikvision Korea

T +82-(0)31-731-8817
sales.korea@hikvision.com

Hikvision Poland

T +48-22-460-01-50
info.pl@hikvision.com

Hikvision Indonesia

T +62-21-2933759
Sales.Indonesia@hikvision.com

Hikvision Colombia

sales.colombia@hikvision.com