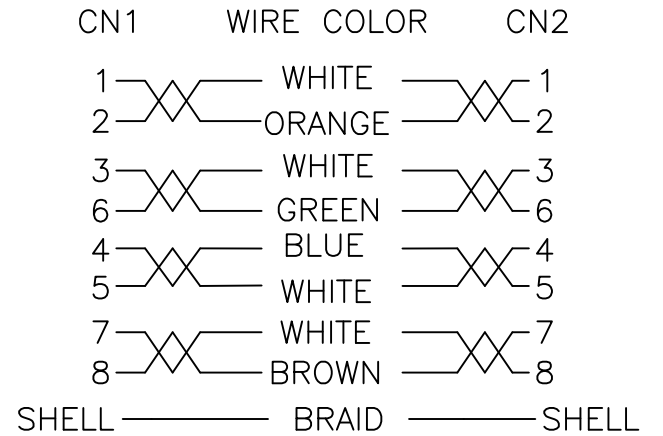


MATERIAL LIST:

NO.	PARTS NAME	SPECIFICATION DESCRIPTION
①	CABLE	S/FTP [(BC 7/0.127±0.005)*1PR+A]*4+B(AL-MG)+LSOH OD:5.2±0.3mm COLOR:Assorted upon request
②	RJ45 CONNECTOR	RJ45,8P8C,TWO FORK GOLD PLATED CONTACTS RED TRANSPARENT WITH METAL HOUSING
③	MOLDING PVC	MOLDING PVC 45P COLOR:Assorted upon request

Marking: Wirewin® SSTP CAT6 Patchcable - LSZH HALOGEN FREE - ISO/IEC 11801 Ed.2 EN 50288
ANSI/TIA-568-C.2 IEC 60332-1

PIN OUT



ELECTRONIC TEST:

A.OPEN/SHORT/INTERMITTENCE: 100%.

REMARK NO	CHA.NO	SIGNATURE	DATE
DRAWN BY	Renzhi		
CHECKED BY			
AUDITED BY		APPROVED BY	
CRAFT		DATE	2019.06.17



SIGN	W.T	SCALE
PAGE OF		

S/FTP CAT6 LSOH

ITEM NO. (PKW-PIMF-KAT6XXX)