

NetMetal ac²

Quickstart

Please follow these quick steps to set up your device:

- Open the upper cover (see “[Removing upper and bottom covers](#)”);
- Connect an external antenna to the SMA connector (see “[Antenna usage](#)”);
- Open the bottom cover (see “[Removing upper and bottom covers](#)”);
- Connect the device to the power source (see “[Powering](#)”);
- Open network connections on your PC, mobile phone or other device and search for MikroTik wireless network and connect to it;
- The configuration can be done through the wireless network using a web browser or mobile app - (see “[MikroTik mobile app](#)”). Alternatively, you can use a WinBox configuration tool <http://mt.lv/winbox>;
- Once connected to the wireless network, open <http://192.168.88.1> in your web browser to start configuration, user name: *admin* and there is no password by default;
- When using mobile application choose Quick setup and it will guide you through all necessary configuration in six easy steps;
- Depending on the antenna used, you must set its gain in the RouterOS software to ensure that EIRP meets the limit set by the local authorities. This is done in the Wireless menu;
- We recommend clicking the “Check for updates” button on the right side and updating your RouterOS software to the latest version to ensure the best performance and stability.
- To personalize your wireless network, SSID can be changed in the fields “Network Name”;
- Choose your country on the left side of the screen in the field “Country”, to apply country regulation settings.
- Set up your wireless network password in the field “WiFi Password” the password must be at least eight symbols.
- Set up your router password in the bottom field “Password” to the right and repeat it in the field “Confirm Password”, it will be used to login next time.
- Click on the “Apply Configuration” to save changes.

Powering

The device accepts power in the following ways:

- Ethernet port accepts PoE 802.3af/at 24-57 V DC ⚡;
- Direct-input power jack (5.5 mm outside and 2 mm inside, female, pin positive plug) accepts 12-57 V DC ⚡.

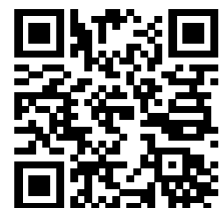
Connecting to a PoE Adapter:

1. Connect the Ethernet cable from the device to the PoE+DATA port of the PoE adapter;
2. Connect an Ethernet cable from your local network (LAN) to the PoE adapter;
3. Connect the power cord to the adapter, and then plug the power cord into a power outlet.

MikroTik mobile app

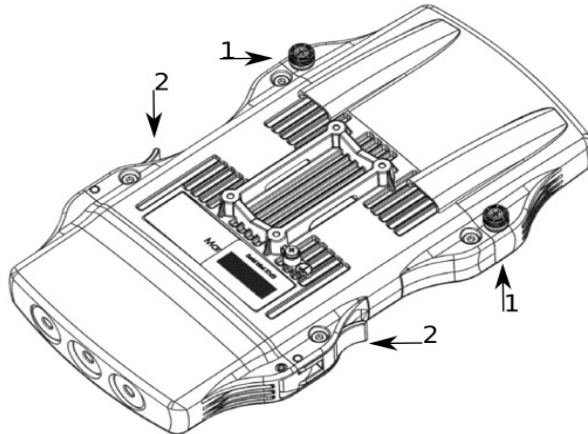
Use the MikroTik smartphone app to configure your router in the field, or to apply the most basic initial settings for your MikroTik home access point.

1. Scan QR code and choose your preferred OS.
2. Install and open application.
3. By default, the IP address and user name will be already entered.
4. Click Connect to establish a connection to your device through a wireless network.
5. Choose Quick setup and application will guide you through all basic configuration settings in a couple of easy steps.
6. An advanced menu is available to fully configure all necessary settings.



Removing upper and bottom covers

1. To remove the upper cover, unscrew two captive screws and slide it off the main body. Do not remove screws completely, when assembling tightening torque 0.2 Nm.
2. To remove the bottom cover, release clips for both fasteners and cover will be free to open.



Mounting

The NetMetal ac2 is designed to be used outdoors and mounted on pole or DIN rail.



When mounting, please ensure that cable feed is pointing downwards.

The IP rating scale of this device is IP55. We recommend using Cat6 shielded cables.

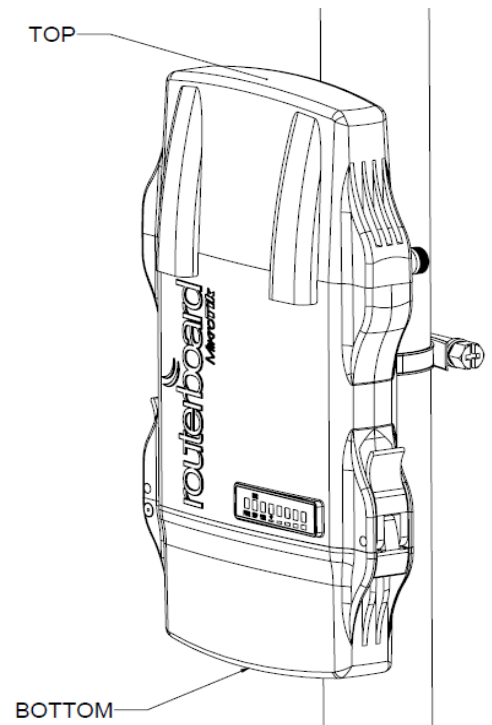
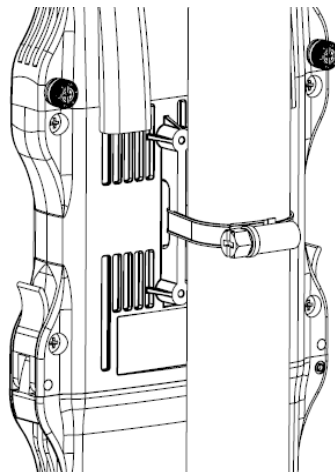
Warning! This equipment should be installed and operated with a minimum distance of 20 cm between the device and your body. Operation of this equipment in the residential environment could cause radio interference.

Mounting and configuration of this device should be done by a qualified person.

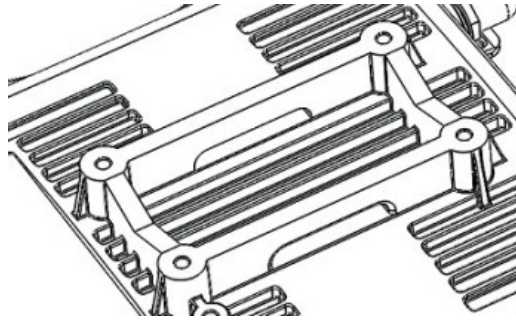
The mounting hose clamp is provided with the package.

1. Guide hose clamp through the opening on the back of the device.
2. Attach to the pole or mast.
3. Align and secure by hose clamp screw using PH2 screwdriver.

* The device should be always placed by TOP cover facing upwards.



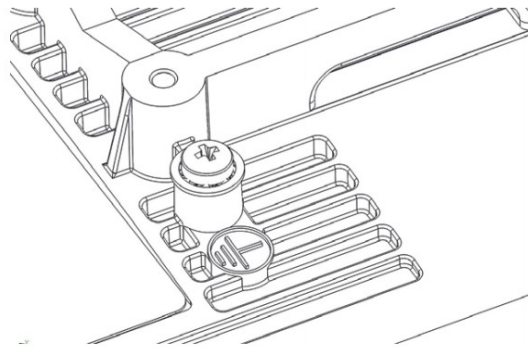
- When mounting on DIN rail, please find special bracket in the package and secure it with four screws to the back of the unit.



- With attached mounting bracket you will be able to slide the device on the DIN rail.

Grounding

The installation infrastructure (towers and masts), as well as the router itself, must be properly grounded. The device includes a grounding wire attachment screw. Attach your grounding wire to the grounding screw, then attach the other end of the grounding wire to the grounded mast.

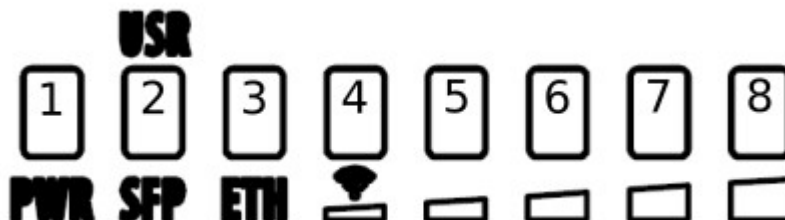


Please secure all loose Ethernet cables and antenna cables to the pole or mast approximately at 30cm from the device, so that the cable weight is not pulling the ports and connectors.

Front status LED behavior

RouterOS allows configuring each LEDs activity the way that user wishes. It is possible to configure the LEDs to display wireless strength, blink the LEDs on interface traffic activity and many other options. For further information please visit <https://wiki.mikrotik.com/wiki/Manual:System/LEDS>

Default factory configuration for this device:



1. Solid Blue – The device is powered on.
2. Solid Green – Active SFP port.
3. Solid Green – Active Ethernet port.
4. - 8. Solid Green – The set of five green LEDs, shows the signal strength.

Configuration

The device is configured as a wireless access point, with the Ethernet port configured as a DHCP client, for connecting to your ISP router or switch. A DHCP server is configured on the wireless interface.

We recommend clicking the “Check for updates” button in the QuickSet menu, as updating your RouterOS software to the latest version ensures the best performance and stability. For wireless models, please make sure you have selected the country where the device will be used, to conform with local regulations.

RouterOS includes many configuration options in addition to what is described in this document. We suggest starting here to get yourself accustomed to the possibilities: <http://mt.lv/help>. In case IP connection is not available, the Winbox tool (<http://mt.lv/winbox>) can be used to connect to the MAC address of the device from the LAN side (all access is blocked from the Internet port by default).

For recovery purposes, it is possible to boot the device for reinstallation, see section [Reset button](#).

Expansion slots and ports

- Gigabit Ethernet port, supporting automatic cross/straight cable correction (Auto MDI/X). Either straight or crossover cable can be used for connecting to other network devices.
- SFP port.
- External SMA antenna connectors.
- MiniPCIe slot.
- Integrated Wireless module operating at 2.4 GHz, 802.11b/g/n protocol.
- Integrated Wireless module operating at 5 GHz, 802.11a/n/ac protocol.
- USB type-A.

Reset button

The reset button has three functions:

- Hold this button during boot time until LED light starts flashing, release the button to reset RouterOS configuration (total 5 seconds).
- Keep holding for 5 more seconds, LED turns solid, release now to turn on CAP mode. The device will now look for a CAPsMAN server (total 10 seconds).
- Or Keep holding the button for 5 more seconds until LED turns off, then release it to make the RouterBOARD look for Netinstall servers (total 15 seconds).

Regardless of the above option used, the system will load the backup RouterBOOT loader if the button is pressed before power is applied to the device. Useful for RouterBOOT debugging and recovery.

Accessories

Package includes the following accessories that come with the device:

- EU Switching Power Supply 48 V = 0.95 A 45.6 W.
- Gigabit POE injector.
- K-27 DIN rail bracket mounting set.
- Hose clamp 40/60 w2 A2 9 mm.

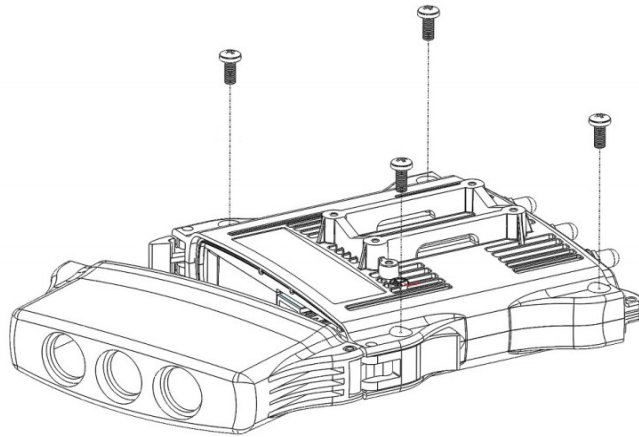
Please visit wiki pages for MikroTik SFP module compatibility table:

https://wiki.mikrotik.com/wiki/MikroTik_SFP_module_compatibility_table

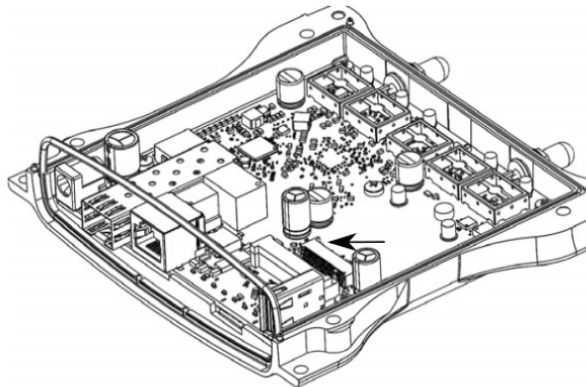
MiniPCle slot usage

This NetMetal version is without modem installed. To install the module you will need to remove the upper cover and open bottom cover (see "[Removing upper and bottom covers](#)"). Installing a miniPCle module should be done by a qualified person, please follow safety precautions when handling electrical equipment:

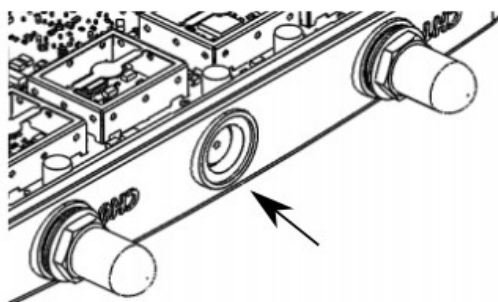
1. Use a wrist grounding strap when unpacking and working with electrical components to avoid electrical discharge (ESD) damage.
2. Removing four screws using the PH2 screwdriver.



3. Remove the top cover by lifting it.
4. Locate the miniPCle slot on the PCB and remove two factory attached screws.



5. Attach provided a thick thermal pad to the card, and install the card into miniPCle slot so that the thermal pad is between PCB and card.
6. Secure card in place using previously removed two screws.
7. Attach the grey uFL connector to the MAIN antenna connector of the modem, attach the black cable to the secondary (or AUX) connector.
8. Attach a thinner thermal pad to the top of the card.
9. Drill a hole for cables using 6.5 mm drill to provide an opening for card antenna cables.



10. Guide through the card cables.

11. Reassemble.



When assembling make sure the rubber sealing is placed firmly around the case for equal spread to prevent water contamination. Case screw torque 2,5 Nm.

When mounting the antenna for the installed card, please make sure to keep them separate at a good distance from Wireless antennas.

Antenna usage

Antenna Installation. **WARNING:** It is the installer's responsibility to ensure that when using the authorized antennas in the United States (or where FCC rules apply); only those antennas certified with the product are used. The use of any antenna other than those certified with the product is expressly forbidden in accordance with FCC rules CFR47 part 15.204. The installer should configure the output power level of antennas, according to country regulations and per antenna type. Professional installation is required for equipment with connectors to ensure compliance with health and safety issues.

LIST OF APPROVED 2GHz ANTENNAS:

- 5 dBi Dipole ACOMNIRPSMA

LIST OF APPROVED 5GHz ANTENNAS:

- 30 dBi Parabolic dish MTAD-5G-30D3
- 19 dBi Sector MTAS-5G-19D120

Antennas of the same type and lower gain than those listed above may be used in compliance with certification.

More information on the wireless interface: <https://wiki.mikrotik.com/wiki/Manual:Interface/Wireless>

Specifications

For more information about this product, specifications, pictures, downloads and test results please visit our web page: https://mikrotik.com/product/NetMetal_ac2

Operating system support

The device supports RouterOS software version 6. The specific factory-installed version number is indicated in the RouterOS menu `/system resource`. Other operating systems have not been tested.

Safety Warnings

Before you work on any equipment, be aware of the hazards involved with electrical circuitry and be familiar with standard practices for preventing accidents.

Ultimate disposal of this product should be handled according to all national laws and regulations.

The Installation of the equipment must comply with local and national electrical codes.

This unit is intended to be mounted on a pole. Please read the wall mounting instructions carefully before beginning installation. Failure to use the correct hardware or to follow the correct procedures could result in a hazardous situation to people and damage to the system.

Read the installation instructions before connecting the system to the power source.



It is the customer's responsibility to follow local country regulations, including operation within legal frequency channels, output power, cabling requirements, and Dynamic Frequency Selection (DFS) requirements. All Mikrotik radio devices must be professionally installed.

Federal Communication Commission Interference Statement



FCC ID:TV7D2352AC

This equipment has been tested and found to comply with the limits for a Class B digital device, pursuant to Part 15 of the FCC Rules. These limits are designed to provide reasonable protection against harmful interference in a residential installation.

This equipment generates, uses and can radiate radio frequency energy and, if not installed and used in accordance with the instructions, may cause harmful interference to radio communications. However, there is no guarantee that interference will not occur in a particular installation. If this equipment does cause harmful interference to radio or television reception, which can be determined by turning the equipment off and on, the user is encouraged to try to correct the interference by one of the following measures:

- Reorient or relocate the receiving antenna.
- Increase the separation between the equipment and receiver.
- Connect the equipment into an outlet on a circuit different from that to which the receiver is connected.
- Consult the dealer or an experienced radio/TV technician for help.

FCC Caution: Any changes or modifications not expressly approved by the party responsible for compliance could void the user's authority to operate this equipment.

This device complies with Part 15 of the FCC Rules. Operation is subject to the following two conditions: (1) This device may not cause harmful interference, and (2) this device must accept any interference received, including interference that may cause undesired operation. This device and its antenna must not be co-located or operation in conjunction with any other antenna or transmitter.

For use of CBRS bands, the CBSD Category of the final Host equipment will be dependent on the power settings and antenna gain used.

IMPORTANT: Exposure to Radio Frequency Radiation.

This equipment complies with the FCC RF radiation exposure limits set forth for an uncontrolled environment. This equipment should be installed and operated with a minimum distance of 20 cm between the radiator and any part of your body.

Innovation, Science and Economic Development Canada

IC:7442A-D2352AC

This device contains licence-exempt transmitter(s)/receiver(s) that comply with Innovation, Science and Economic Development Canada's licence-exempt RSS(s). Operation is subject to the following two conditions:

1. This device may not cause interference;
2. This device must accept any interference, including interference that may cause undesired operation of the device.

L'émetteur/récepteur exempt de licence contenu dans le présent appareil est conforme aux CNR d'Innovation, Sciences et Développement économique Canada applicables aux appareils radio exempts de licence. L'exploitation est autorisée aux deux conditions suivantes:

1. L'appareil ne doit pas produire de brouillage;
2. L'appareil doit accepter tout brouillage radioélectrique subi, même si le brouillage est.

IMPORTANT: Exposure to Radio Frequency Radiation.

This equipment complies with the IC radiation exposure limits set forth for an uncontrolled environment. This equipment should be installed and operated with a minimum distance of 20 cm between the radiator and any part of your body.

Cet équipement est conforme aux limites d'exposition au rayonnement IC définies pour un environnement non contrôlé. Cet équipement doit être installé et utilisé à une distance minimale de 20 cm entre le radiateur et toute partie de votre corps.

CAN ICES-3 (B)/NMB-3(B)FCC

The device for operation in the band 5150–5250 MHz is only for indoor use to reduce the potential for harmful interference to co-channel mobile satellite systems.

les dispositifs fonctionnant dans la bande de 5150 à 5250 MHz sont réservés uniquement pour une utilisation à l'intérieur afin de réduire les risques de brouillage préjudiciable aux systèmes de satellites mobiles utilisant les mêmes canaux.

CE Declaration of Conformity



Manufacturer: Mikrotikls SIA, Brivibas gatve 214i Riga, Latvia, LV1039.

BG	С настоящото Mikrotikls SIA декларира, че този тип радиосъоръжение RouterBOARD е в съответствие с Директива 2014/53/ЕС. Цялостният текст на ЕС декларацията за съответствие може да се намери на следния интернет адрес: https://mikrotik.com/products
CS	Tímto Mikrotikls SIA prohlašuje, že typ rádiového zařízení RouterBOARD je v souladu se směrnicí 2014/53/EU. Úplné znění EU prohlášení o shodě je k dispozici na této internetové adrese: https://mikrotik.com/products
DA	Hermed erklærer Mikrotikls SIA, at radioudstyrstypen RouterBOARD er i overensstemmelse med direktiv 2014/53/EU. EU-overensstemmelseserklæringens fulde tekst kan findes på følgende internetadresse: https://mikrotik.com/products
DE	Hiermit erkläre Mikrotikls SIA, dass der Funkanlagentyp RouterBOARD der Richtlinie 2014/53/EU entspricht. Der vollständige Text der EU-Konformitätserklärung ist unter der folgenden Internetadresse verfügbar: https://mikrotik.com/products
EL	Με την παρούσα ο/η Mikrotikls SIA, δηλώνει ότι ο ραδιοεξοπλισμός RouterBOARD πληροί την οδηγία 2014/53/ΕΕ. Το πλήρες κείμενο της δήλωσης συμμόρφωσης ΕΕ διατίθεται στην ακόλουθη ιστοσελίδα στο διαδίκτυο: https://mikrotik.com/products
EN	Hereby, Mikrotikls SIA declares that the radio equipment type RouterBOARD is in compliance with Directive 2014/53/EU. The full text of the EU declaration of conformity is available at the following internet address: https://mikrotik.com/products
ES	Por la presente, Mikrotikls SIA declara que el tipo de equipo radioeléctrico RouterBOARD es conforme con la Directiva 2014/53/UE. El texto completo de la declaración UE de conformidad está disponible en la dirección Internet siguiente: https://mikrotik.com/products
ET	Käesolevaga deklareerib Mikrotikls SIA, et käesolev raadioseadme tüüp RouterBOARD vastab direktiivi 2014/53/EL nõuetele. ELi vastavusdeklaratsiooni täielik tekst on kättesaadav järgmisel internetiaadressil: https://mikrotik.com/products
FI	Mikrotikls SIA vakuuttaa, että radiolaitetyyppi RouterBOARD on direktiivin 2014/53/EU mukainen. EU-vaatimustenmukaisuusvakuutuksen täysimittainen teksti on saatavilla seuraavassa internetosoitteessa: https://mikrotik.com/products
FR	Le soussigné, Mikrotikls SIA, déclare que l'équipement radioélectrique du type RouterBOARD est conforme à la directive 2014/53/UE. Le texte complet de la déclaration UE de conformité est disponible à l'adresse internet suivante: https://mikrotik.com/products
HR	Mikrotikls SIA ovime izjavljuje da je radijska oprema tipa RouterBOARD u skladu s Direktivom 2014/53/EU. Cjeloviti tekst EU izjave o sukladnosti dostupan je na sljedećoj internetskoj adresi: https://mikrotik.com/products
HU	Mikrotikls SIA igazolja, hogy a RouterBOARD típusú rádióberendezés megfelel a 2014/53/EU irányelvnek. Az EU-megfelelőségi nyilatkozat teljes szövege elérhető a következő internetes címen: https://mikrotik.com/products
IT	Il fabbricante, Mikrotikls SIA, dichiara che il tipo di apparecchiatura radio RouterBOARD è conforme alla direttiva 2014/53/UE. Il testo completo della dichiarazione di conformità UE è disponibile al seguente indirizzo Internet: https://mikrotik.com/products
IS	Hér með lýsir Mikrotikls SIA því yfir að RouterBOARD er í samræmi við grunnkröfur og aðrar kröfur, sem gerðar eru í tilskipun 2014/53/EU. Fullur texti ESB samræmisýfirlýsingar er að finna á eftirfarandi veffangi: https://mikrotik.com/products
LT	Aš, Mikrotikls SIA, patvirtinu, kad radijo įrenginių tipas RouterBOARD atitinka Direktyvą 2014/53/ES. Visas ES atitikties deklaracijos tekstas prieinamas šiuo interneto adresu: https://mikrotik.com/products
LV	Ar šo Mikrotikls SIA deklarē, ka radioiekārta RouterBOARD atbilst Direktīvai 2014/53/ES. Pilns ES atbilstības deklarācijas teksts ir pieejams šādā interneta vietnē: https://mikrotik.com/products
MT	B'dan, Mikrotikls SIA, niddikjara li dan it-tip ta' taghmir tar-radju RouterBOARD huwa konformi mad-Direttiva 2014/53/UE. It-test kollu tad-dikjarazzjoni ta' konformità tal-UE huwa disponibbli f'dan l-indirizz tal-Internet li ġej: https://mikrotik.com/products
NL	Hierbij verklaar ik, Mikrotikls SIA, dat het type radioapparatuur RouterBOARD conform is met Richtlijn 2014/53/EU. De volledige tekst van de EU-conformiteitsverklaring kan worden geraadpleegd op het volgende internetadres: https://mikrotik.com/products
NO	Mikrotikls SIA erklærer herved at utstyret RouterBOARD er i samsvar med de grunnleggende krav og øvrige relevante krav i direktiv 2014/53/EU. Den fulle teksten til EU-samsvarserklæringen er tilgjengelig på følgende internetadresse: https://mikrotik.com/products
PL	Mikrotikls SIA niniejszym oświadcza, że typ urządzenia radiowego RouterBOARD jest zgodny z dyrektywą 2014/53/UE. Pełny tekst deklaracji zgodności UE jest dostępny pod następującym adresem internetowym: https://mikrotik.com/products
PT	O(a) abaixo assinado(a) Mikrotikls SIA declara que o presente tipo de equipamento de rádio RouterBOARD está em conformidade com a Diretiva 2014/53/UE. O texto integral da declaração de conformidade está disponível no seguinte endereço de Internet: https://mikrotik.com/products
RO	Prin prezenta, Mikrotikls SIA declară că tipul de echipamente radio RouterBOARD este în conformitate cu Directiva 2014/53/UE. Textul integral al declarației UE de conformitate este disponibil la următoarea adresă internet: https://mikrotik.com/products
SK	Mikrotikls SIA týmto vyhlasuje, že rádiové zariadenie typu RouterBOARD je v súlade so smernicou 2014/53/EÚ. Úplné EÚ vyhlásenie o zhode je k dispozícii na tejto internetovej adrese: https://mikrotik.com/products
SL	Mikrotikls SIA potrjuje, da je tip radijske opreme RouterBOARD skladen z Direktivo 2014/53/EU. Celotno besedilo izjave EU o skladnosti je na voljo na naslednjem spletnem naslovu: https://mikrotik.com/products
SV	Härmed försäkrar Mikrotikls SIA att denna typ av radioutrustning RouterBOARD överensstämmer med direktiv 2014/53/EU. Den fullständiga texten till EU-försäkran om överensstämmelse finns på följande webbadress: https://mikrotik.com/products

MPE statement

This equipment complies with EU radiation exposure limits set forth for an uncontrolled environment. This equipment should be installed and operated with minimum distance of 20 cm between the radiator and your body, unless specifically stated otherwise in page 1 of this document. In RouterOS you must specify your country, to make sure local wireless regulations are observed.

Frequency bands terms of use

Frequency range (for applicable models)	Channels used	Maximum Output Power (EIRP)	Restriction
2412-2472 MHz	1 - 13	20 dBm	Without any restriction to use in all EU Member States
5150-5250 MHz	26 - 48	23 dBm	Restricted to indoor use only*
5250-5350 MHz	52 - 64	20 dBm	Restricted to indoor use only*
5470-5725 MHz	100 - 140	27 dBm	Without any restriction to use in all EU Member States

* It is the customer's responsibility to follow local country regulations, including operation within legal frequency channels, output power, cabling requirements, and Dynamic Frequency Selection (DFS) requirements. All MikroTik radio devices must be professionally installed!

Note. Information contained here is subject to change. Please visit the product page on www.mikrotik.com for the most up to date version of this document.



BG. Инструкции: Свържете адаптера на захранване, за да включите устройството. Отворете 192.168.88.1 в уеб браузър, за да настроите продукта. Повече информация в <https://mt.lv/help-bg>

CS. Návod k použití: Připojte napájecí adaptér k zapnutí přístroje. Otevřete 192.168.88.1 ve webovém prohlížeči pro konfiguraci produktu. Více informací najdete v <https://mt.lv/help-cs>

DA. Instruktionsbog: Tilslut strømadapteren for at tænde for enheden. Åbn 192.168.88.1 i en webbrowser til at konfigurere produktet. Mere information i <https://mt.lv/help-da>

DE. Bedienungsanleitung: Verbinden Sie das Netzteil, um das Gerät einzuschalten. Öffnen Sie 192.168.88.1 in einem Web-Browser, um das Produkt zu konfigurieren. Weitere Informationen im <https://mt.lv/help-de>

EL. εγχειρίδιο οδηγιών: Συνδέστε τον προσαρμογέα τροφοδοσίας για να ενεργοποιήσετε τη μονάδα. Ανοίξτε 192.168.88.1 σε ένα πρόγραμμα περιήγησης στο Web για να διαμορφώσετε το προϊόν. Περισσότερες πληροφορίες στο <https://mt.lv/help-el>

EN. Instruction manual: Connect the power adapter to turn on the device. Open 192.168.88.1 in your web browser, to configure it. More information on <https://mt.lv/help>

ES. Manual de instrucciones: Conecte el adaptador de alimentación para encender la unidad. Abra 192.168.88.1 en un navegador web para configurar el producto. Más información en <https://mt.lv/help-es>

ET. Kasutusjuhend: Ühendage toiteadapter seadme sisselülitamiseks. Avatud 192.168.88.1 in veebilehitseja seadistada toodet. Rohkem teavet <https://mt.lv/help-et>

FI. Käyttöohje: Kytke virtalähde päälle laitteen. Avaa 192.168.88.1 in selaimen määrittää tuotteen. Lisää tietoa <https://mt.lv/help-fi>

FR. Mode d'emploi: Connectez l'adaptateur d'alimentation pour allumer l'appareil. Ouvrez 192.168.88.1 dans un navigateur Web pour configurer le produit. Plus d'informations dans <https://mt.lv/help-fr>

HR. Uputa za uporabu: Prikjučite napajanje i uključite uređaj. Za konfiguraciju uređaja u pregledniku otvorite 192.168.88.1. Više informacija je na <https://mt.lv/help-hr>

HU. Használati utasítás: Csatlakoztassa a hálózati adaptert a készülék bekapcsolásához. Megnyitása 192.168.88.1 egy webböngészőben beállítani a terméket. Több információ <https://mt.lv/help-hu>

IT. Manuale di istruzioni: Collegare l'adattatore di alimentazione per accendere l'unità. Aprire 192.168.88.1 in un browser Web per configurare il prodotto. Maggiori informazioni in <https://mt.lv/help-it>

IS. Notkunarleiðbeiningar: Tengdu straumbreytinn til að kveikja á tækinu. Opnaðu 192.168.88.1 í vafra til að stilla það. Nánari upplýsingar á <https://mt.lv/help-is>

NO. Instruksjonsmanual: Koble strømadapteren for å slå på enheten. Åpne 192.168.88.1 i nettleseren din for å konfigurere den. Mer informasjon på <https://mt.lv/help-no>

LT. Naudojimosi instrukcija: Prijunkite maitinimo adapterį įjunkite įrenginį. Į interneto naršyklę 192.168.88.1 Atidarykite galite konfigūruoti gaminį. Daugiau informacijos rasite <https://mt.lv/help-lt>

LV. Lietošanas instrukcija: Pievienojiet Strāvas adapteri, lai ieslēgtu ierīci. Atvērt 192.168.88.1 ar interneta pārlūku, lai konfigurētu produktu. Plašāka informācija <https://mt.lv/help-lv>

MT. Manwal tal-istruzzjoni: Qabbad l-adapter tal-qawwa biex iddawwar it-tagħmir. Iftaħ 192.168.88.1 fil-web browser tiegħek, biex jiġi kkonfigurati. Aktar informazzjoni fuq <https://mt.lv/help-mt>

NL. Handleiding: Sluit voedingsadapter aan op het apparaat in te schakelen. Open 192.168.88.1 in een webbrowser om het product te configureren. Meer informatie in <https://mt.lv/help-nl>

PL. Instrukcja obsługi: Podłącz adapter zasilania, aby włączyć urządzenie. Otwórz 192.168.88.1 w przeglądarce internetowej, aby skonfigurować urządzenie. Więcej informacji w <https://mt.lv/help-pl>

PT. Manual de instruções: Conecte o adaptador de alimentação para ligar o aparelho. Abra 192.168.88.1 em um navegador da web para configurar o produto. Mais informações em <https://mt.lv/help-pt>

RO. Instrucțiuni de utilizare: Conectați adaptorul de alimentare pentru a porni aparatul. Deschide 192.168.88.1 într-un browser web pentru a configura produsul. Mai multe informații în <https://mt.lv/help-ro>

SK. Navodila: Priključite napajalnik za vklop naprave. Odprite 192.168.88.1 v spletnem brskalniku nastaviti izdelek. Več informacij v <https://mt.lv/help-sk>

SL. Návod na použitie: Pripojte napájací adaptér k zapnutiu prístroja. Otvorte 192.168.88.1 vo webovom prehliadači pre konfiguráciu produktu. Viac informácií nájdete v <https://mt.lv/help-sl>

SV. Instruktionsmanual: Anslut nätadaptern för att slå på enheten. Öppna 192.168.88.1 i en webbläsare för att konfigurera produkten. Mer information på <https://mt.lv/help-sv>

NO. Bruksanvisningen: Koble strømadapteren for å slå på enheten. Åpne 192.168.88.1 i en nettleaser for å konfigurere produktet. Mer informasjon på <https://mt.lv/help-no>

RU. Руководство по эксплуатации: подключите адаптер питания чтобы включить устройство. Откройте 192.168.88.1 в своем веб-браузере для конфигурации. Дополнительная информация <https://mt.lv/help-ru>

CN. 说明书: 连接电源适配器以打开设备。在 Web 浏览器中打开 192.168.88.1 进行配置。有关 <https://mt.lv/help-zh> 的更多信息

UA. Керівництво з експлуатації: підключіть адаптер живлення щоб увімкнути пристрій. Відкрийте 192.168.88.1 в своєму веб-браузері для конфігурації. Додаткова інформація: <https://mt.lv/help-ua>