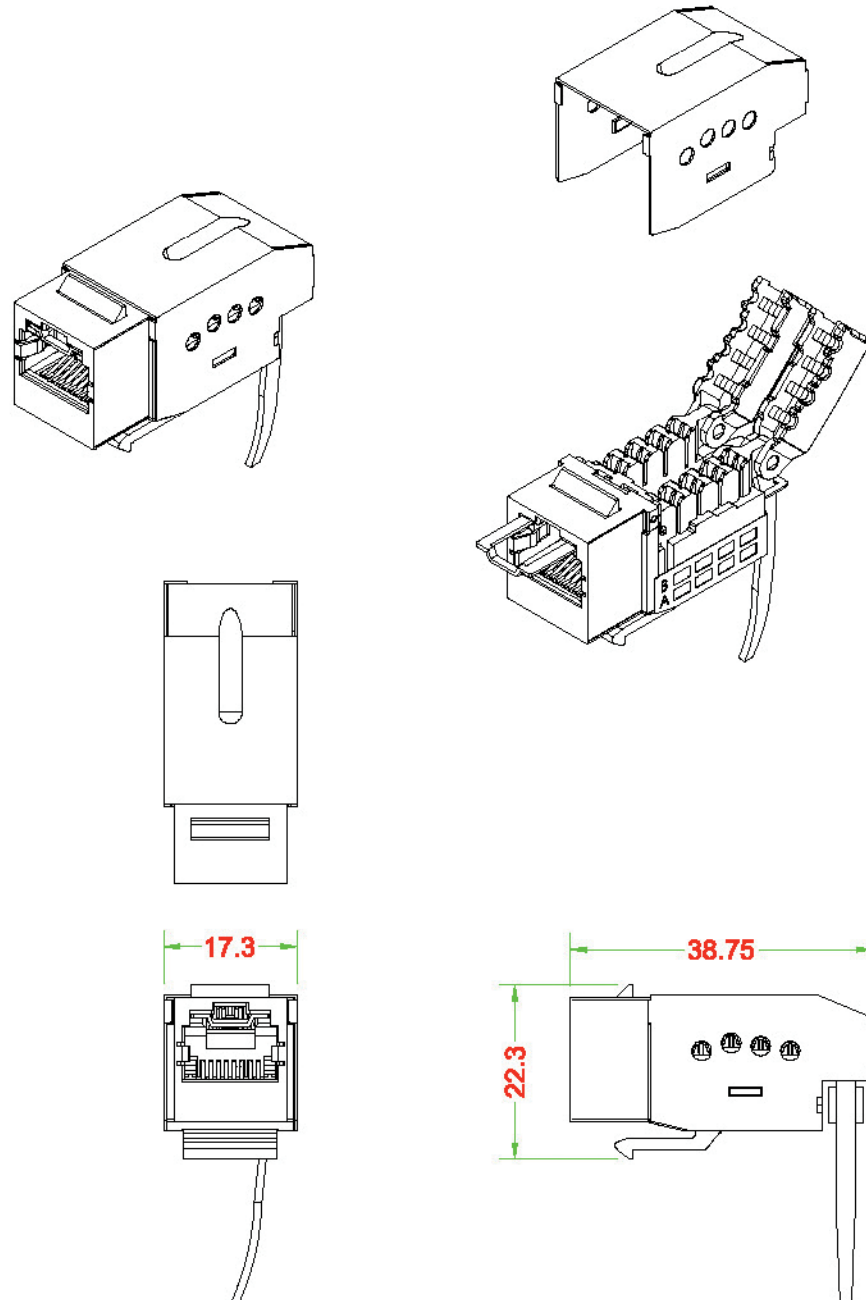


WKS JACK KAT6 LOCK



Performance:

Meets C6 EIA/TIA 568B Standard.

Materials:

Body : Fireproof ABS UL-94V0

Metallic Case : Metal

Jack : 8P8C 50 micro inches gold plated

PCB : FR-4 / UL-94V0

IDC Cap : Fireproof PC

IDC Body : Fireproof ABS UL-94V0

IDC Pin : Phosphor Bronze & Tinned

Lock Bar : Metal (SPCC)

IDC Description : For 22-26 AWG.

For 110 or Krone punch-down Tool
Toolless (when use IDC cap directly)

Electrical Specifications:

Insulation Resistance : 500M ohms (min.)

Contact Resistance : 20m ohms (max.)

Current Rating : 1.5 Amps .

DC Resistance : 0.1 ohms (max.)

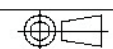
Withstanding Voltage : 1000 VAC RMS @ 60Hz / 1 min.

Mechanical Specifications:

IDC Punch Down Cycle : Over 250 Cycles (min.)

Jack Insertion Cycle : Over 2000 Cycles (min.)

Operation Temperature : -40 °C ~ +70 °C

| | | | |
|---|----------|------------|-----------------------------|
| DRAW NO: | | ITEM NO: | |
|  | APPR | CUSTOMER: | |
| UNIT: m/m | DESIGN | DATE: | |
| SCALE: | Ref. NO: | TOLERANCE: | · ± 1 · X ± 0.2 · XX ± 0.15 |