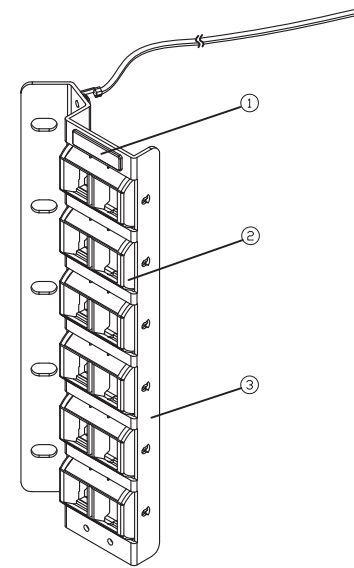
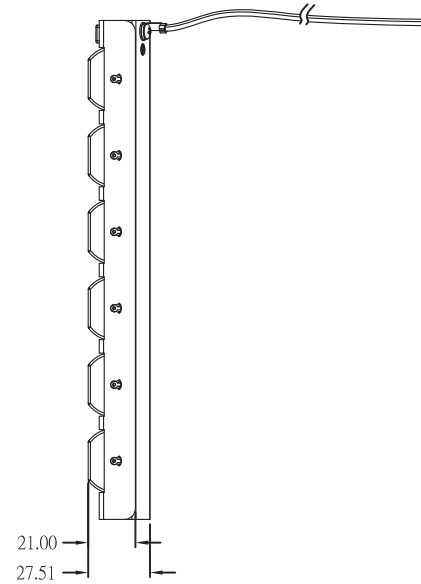
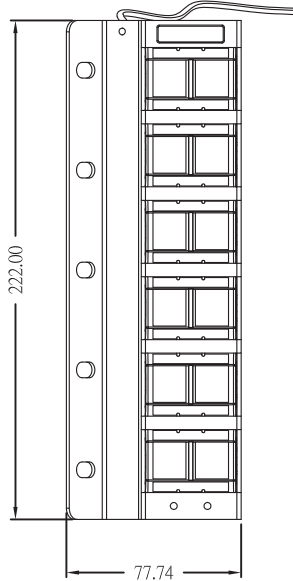
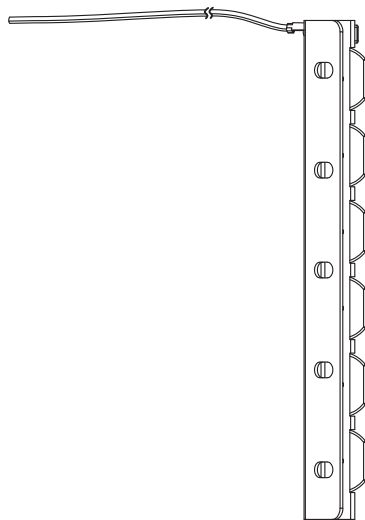
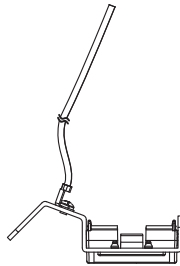


LIMITS	CLASS			
	A	B	C	D
	±0.02	±0.05	±0.10	±0.15
	±0.05	±0.10	±0.15	±0.20
	±0.10	±0.15	±0.20	±0.25
	±0.15	±0.20	±0.25	±0.30
	±0.20	±0.25	±0.30	±0.35
	±0.25	±0.30	±0.35	±0.40
	±0.30	±0.35	±0.40	±0.45
ANGLE	±0.2°	±0.5°	±1.0°	±1.5°

ZONE	REV.	DESCRIPTION	DATE	APPROVED
	A			



MATERIAL :

- (1) Icon : Silicone BK
- (2) Plastic Materials PC
- (3) Sheet Metal: SPCC/Fe (electroplating)
- (4) Module rotation angle: 30°/side

MODEL:	TITLE:		 ELMA 1 <input checked="" type="checkbox"/> ELMA2 <input type="checkbox"/>	
WKS PANEL 12 DYN ANG VERT				
DRAWN:	PART NO.	UNIT	MM	
DESIGNED:	MATERIAL	SCALE	1:1	
CHECKED:	FINISH	SHEET	1 OF 1	
	TOOLING NO.	SIZE	A4	REV. A
APPROVED:	DWG NO.	WKS PANEL 12 DYN ANG VERT		