

MATERIAL LIST:

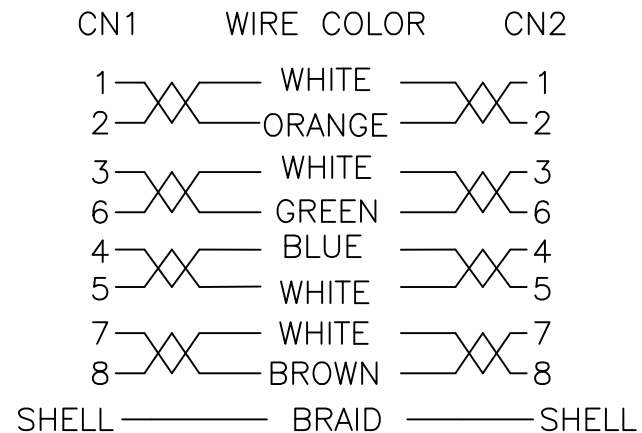
NO.	PARTS NAME	SPECIFICATION DESCRIPTION
①	CABLE	S/FTP [(BC 7/0.127±0.005)*1PR+A]*4+B(AL-MG)+LSOH OD:5.2±0.3mm COLOR:GREY
②	RJ45 CONNECTOR	RJ45,8P8C,TWO FORK GOLD PLATED CONTACTS TRANSPARENT WITH METAL HOUSING
③	MOLDING PVC	MOLDING PVC 45P COLOR:GREY

Marking: SSTP CAT6 patchcord - LSZH HALOGENFREE - EIA/TIA 568B

ELECTRONIC TEST:

A.OPEN/SHORT/INTERMITTENCE: 100%.

PIN OUT



REMARK/NO	CHA.NO	SIGNATURE	DATE
DRAWN BY	Renzhi		
CHECKED BY			
AUDITED BY		APPROVED BY	
CRAFT		DATE	2019.06.17

SIGN	W.T	SCALE
PAGE	OF	

S/FTP CAT6 LSOH
ITEM NO. (PKN-STP-KAT6XXX)