

RoHS COMPLIANT

Overview

Bandwidth: 500MHz
 OD: 6.0mm
 Conductor: 26AWG
 Approvals: RoHS
 Connector: 50U" gold plated RJ45 connector

Physical Characteristics

- Cable Type – CAT6A S/FTP
- Connector Type(s) – RJ45
- Wiring Scheme – T568B
- Temperature Rating
 Installation: 0°C~50°C
 Operation: -40°C~80°C
- Voltage Rating – 30V

Conductor (Qty. 4 twisted pair)

- Conductor Type – 26AWG(7/0.16±0.008mm), Stranded BC
- Insulation – FMPE
- Diameter – 1.04±0.05mm
- Pair Identification:
 - Pair1=Orange, White
 - Pair2=Blue, White
 - Pair3=Green, White
 - Pair4=Brown, White

Connector Type (Qty. 2)

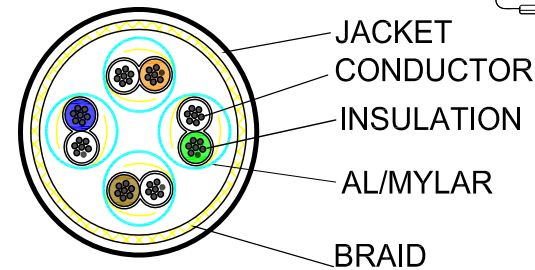
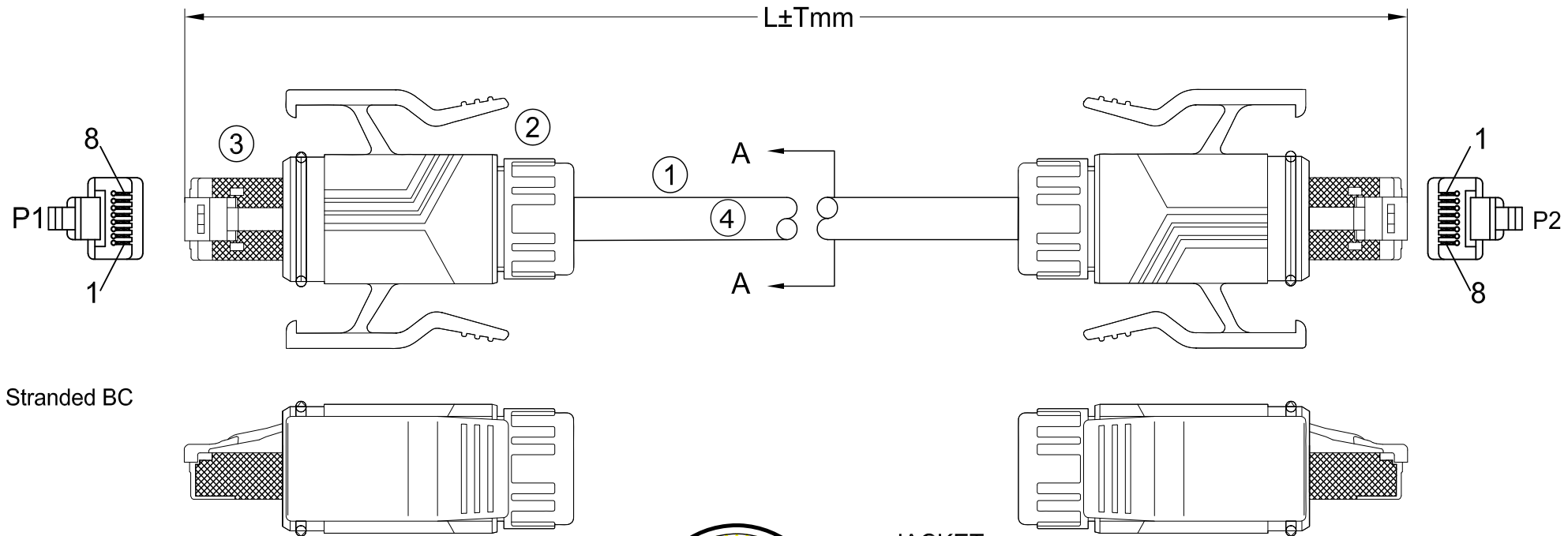
- Connector Type – Shielded 8P8C (RJ45)
- Gender – Male
- Connector Material – PC
- Contact Material – Copper Alloy, Gold Plating – 50µm
- Hood Material – IP67 Assemble Boot

Overall Cable

- Jacket – PUR
- Minimum Average Thickness – 0.60mm
- Outer Diameter – 6.0 ± 0.20mm

Electrical Characteristics

- Conductor DC Resistance – 17.89Ω/100m (maximum)
- Impedance – 100Ω
- Capacitance – 5600pf/100m
- Propagation Delay – 545ns/100m (maximum)
- Delay Skew – 45ns/100m (maximum)
- Pass Fluke DSX 8000 Channel Test



SEC:A-A

TOLERANCE:		
LINEAT: X. =±1 .X =±0.5 .XX=±0.05	ANGULAR: X.° =±1° .X° =±0°30'	
FILLET: R2=RAD.2mm R5=RAD.5mm XR=MAX RAD.	CHAMFER: C0.5=CHAM0.5mm C1=CHAM1mm	

P1	P2 T568B
1 ——— 1	WHITE/ORANGE
2 ——— 2	ORANGE
3 ——— 3	WHITE/GREEN
4 ——— 4	BLUE
5 ——— 5	WHITE/BLUE
6 ——— 6	GREEN
7 ——— 7	WHITE/BROWN
8 ——— 8	BROWN
S ——— S	SHIELDED

TOLERANCE GENERALES					
LENGTH(M)	0<L<1	1≤L<2	2≤L<5	5≤L<10	L≥10
TOLERANCE	+35/-15mm	+35/-20mm	+35/-30mm	±50mm	±80mm

4	PRINT: Wirewin® CAT6A S/FTP Patchcable - PUR - ISO/IEC 11801 Ed.2 EN 50288 ANSI/TIA-568-C.2 - [TTORDERNR]
3	RJ45 PLUG: 8P8C 50U" GOLD PLATED TWO-PIECE PLUG; NICKEL PLATED SHIELDED.
2	MOLDED: IP67 ASSEMBLE BOOT (1652732) .
1	CABLE: CAT6A S/FTP[26AWG(7/0.16±0.008BC)+AL/MYLAY]*4+BRAID(16*5/0.10TC) OD:Ø6.0±0.2MM PUR JACKET.
NO.	SPECIFICATION
	BOM LIST

Oberfläche / Surface: n.a.		Allgemeintoleranz / General tolerance: n.a.		Werkstoff / Material: n.a.	
Hersteller / Manufacturer: TRIO TRONIK Energierstrasse 10 A-8160 Weiz office@triotronik.com www.triotronik.com		Erstellt von / Drawn by: Simon G., 13.11.25	Geprüft von / Checked by: Stefan S., 13.11.25	Sonstiges / Miscellaneous: - Revision 1	
Titel / Title: Wirewin® PKW-I2-SF-K6A-PUR			Zeichnungsnummer / Drawing number: PUR-IP67-IP67_CST_0465		
Maßstab / Scale: n.a.		Datum / Date: 11.09.2025	Blatt / Sheet: 1 / 1		