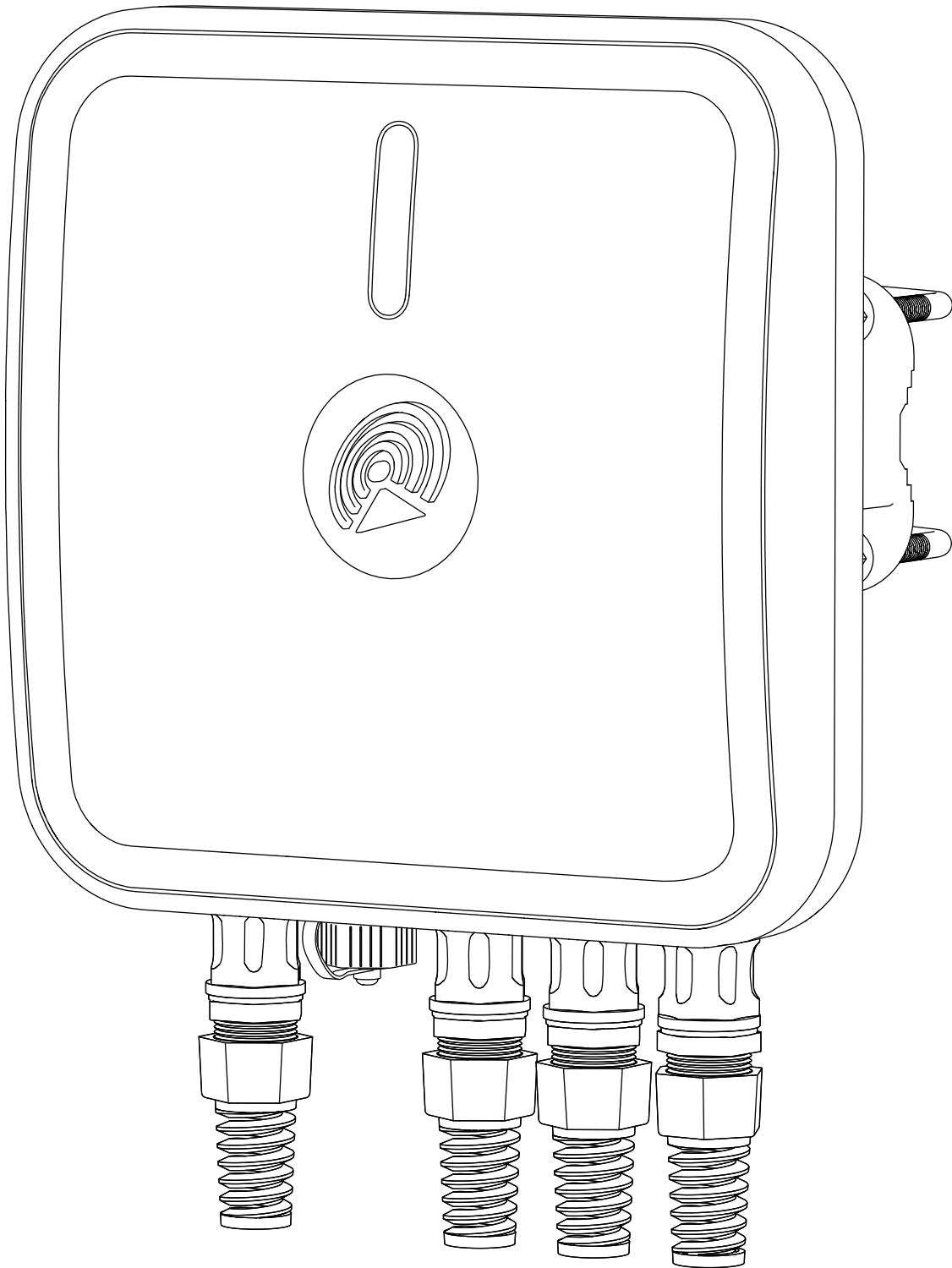
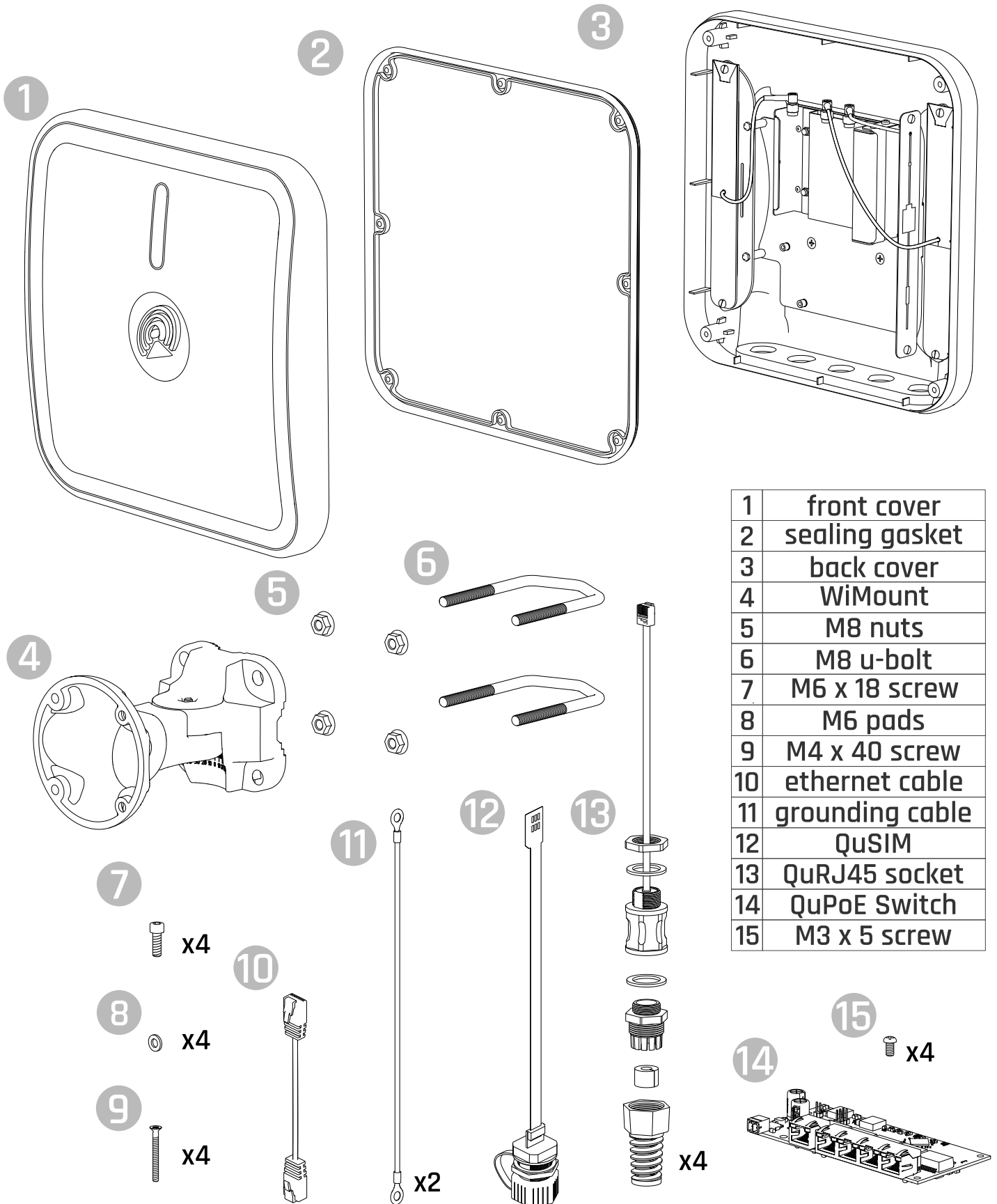


Quick Installation Guide

Antenna QuCam Global for Teltonika
RUT200, RUT240, RUT241 or RUT260

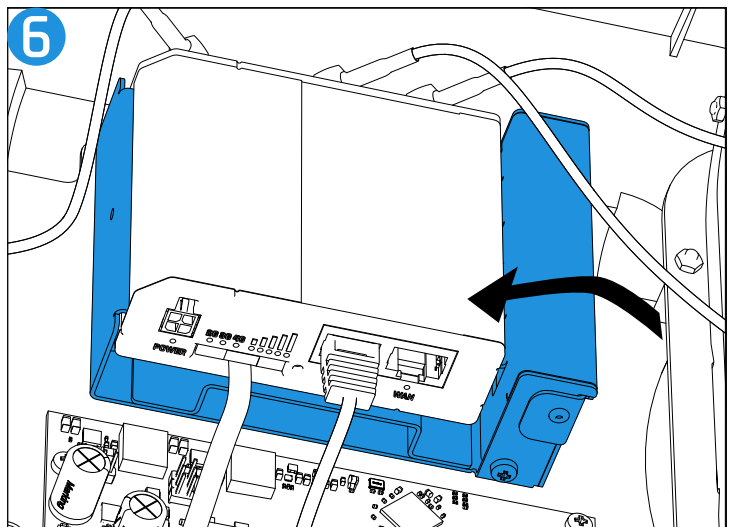
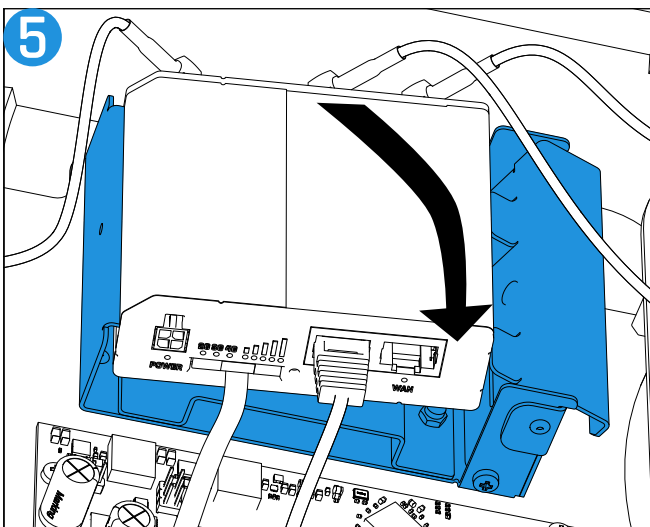
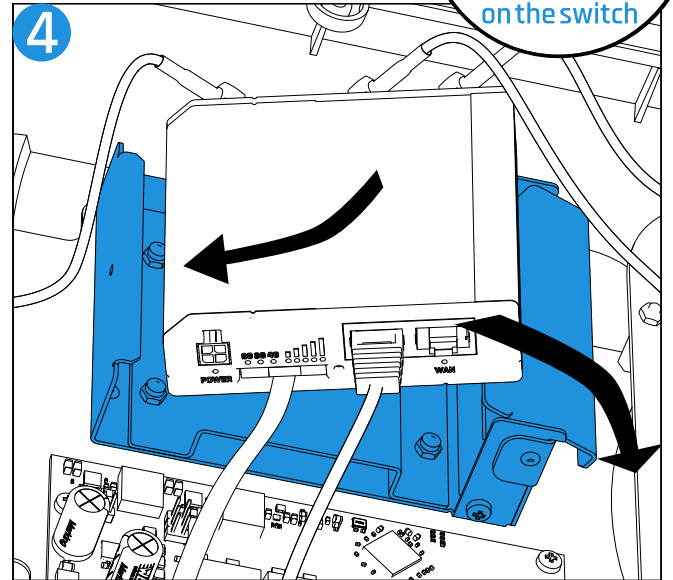
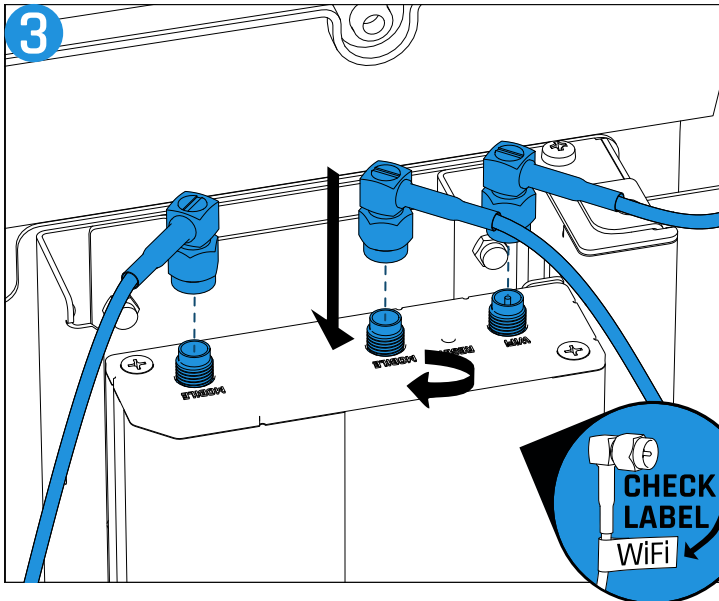
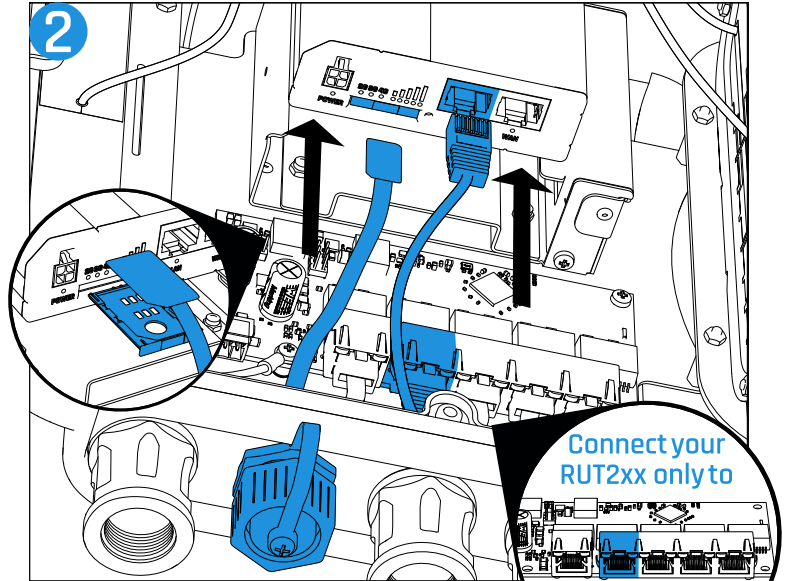
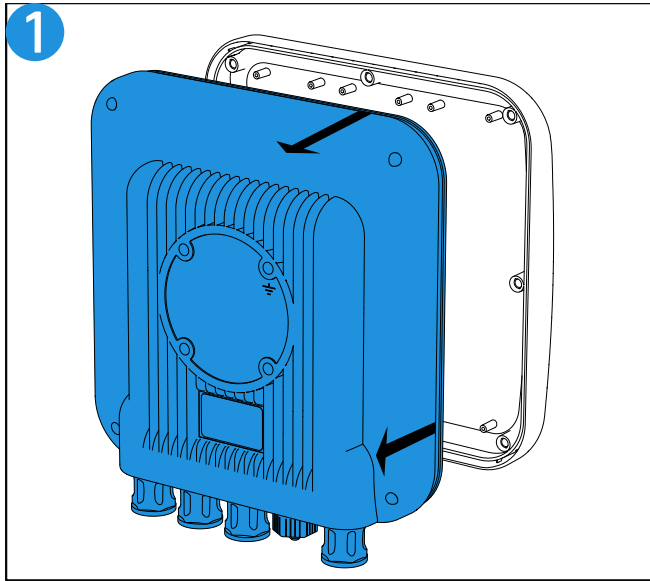


What's inside

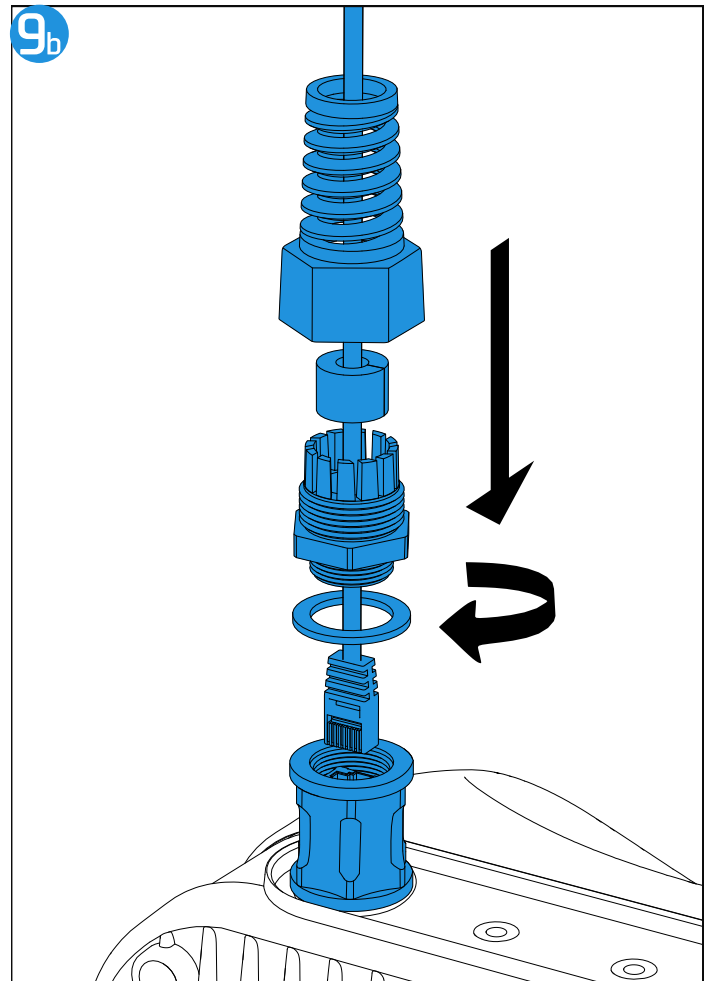
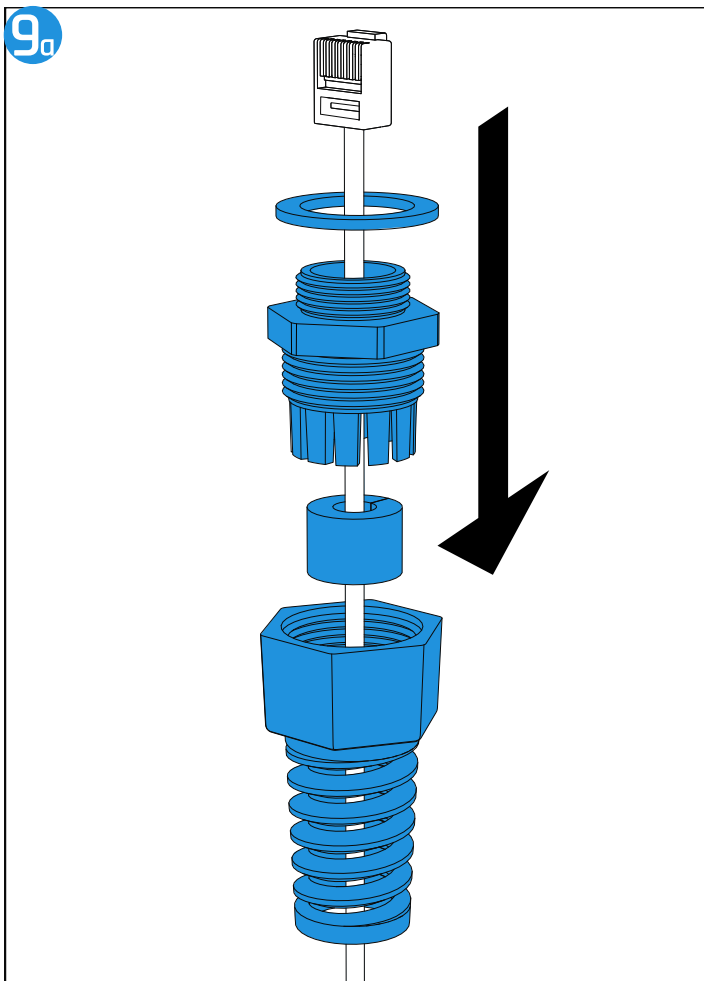
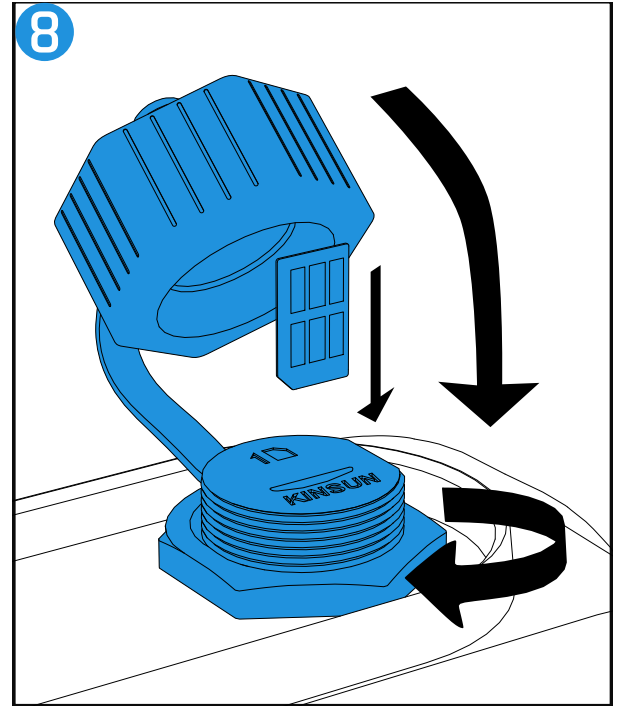
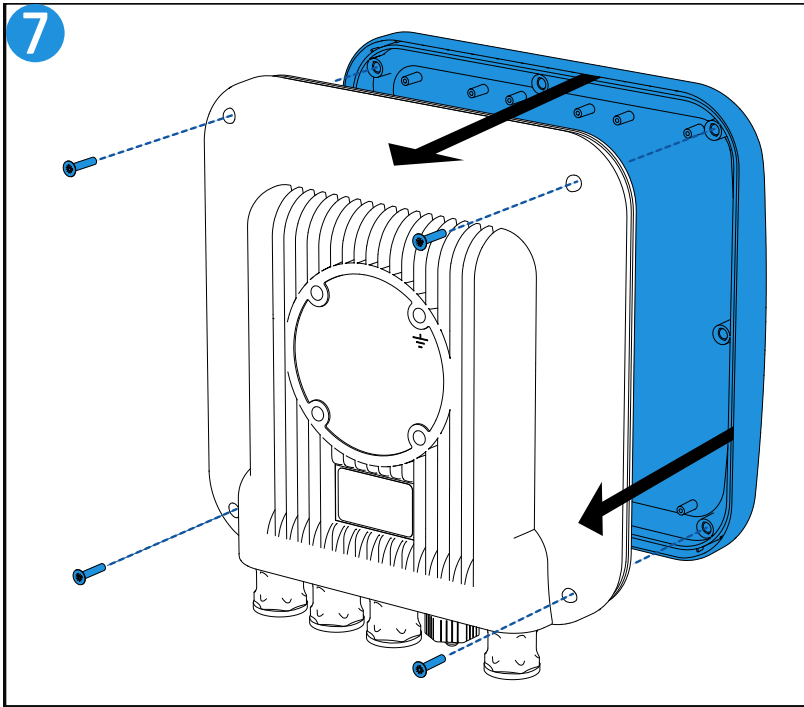


1	front cover
2	sealing gasket
3	back cover
4	WiMount
5	M8 nuts
6	M8 u-bolt
7	M6 x 18 screw
8	M6 pads
9	M4 x 40 screw
10	ethernet cable
11	grounding cable
12	QuSIM
13	QuRJ45 socket
14	QuPoE Switch
15	M3 x 5 screw

Antenna Installation

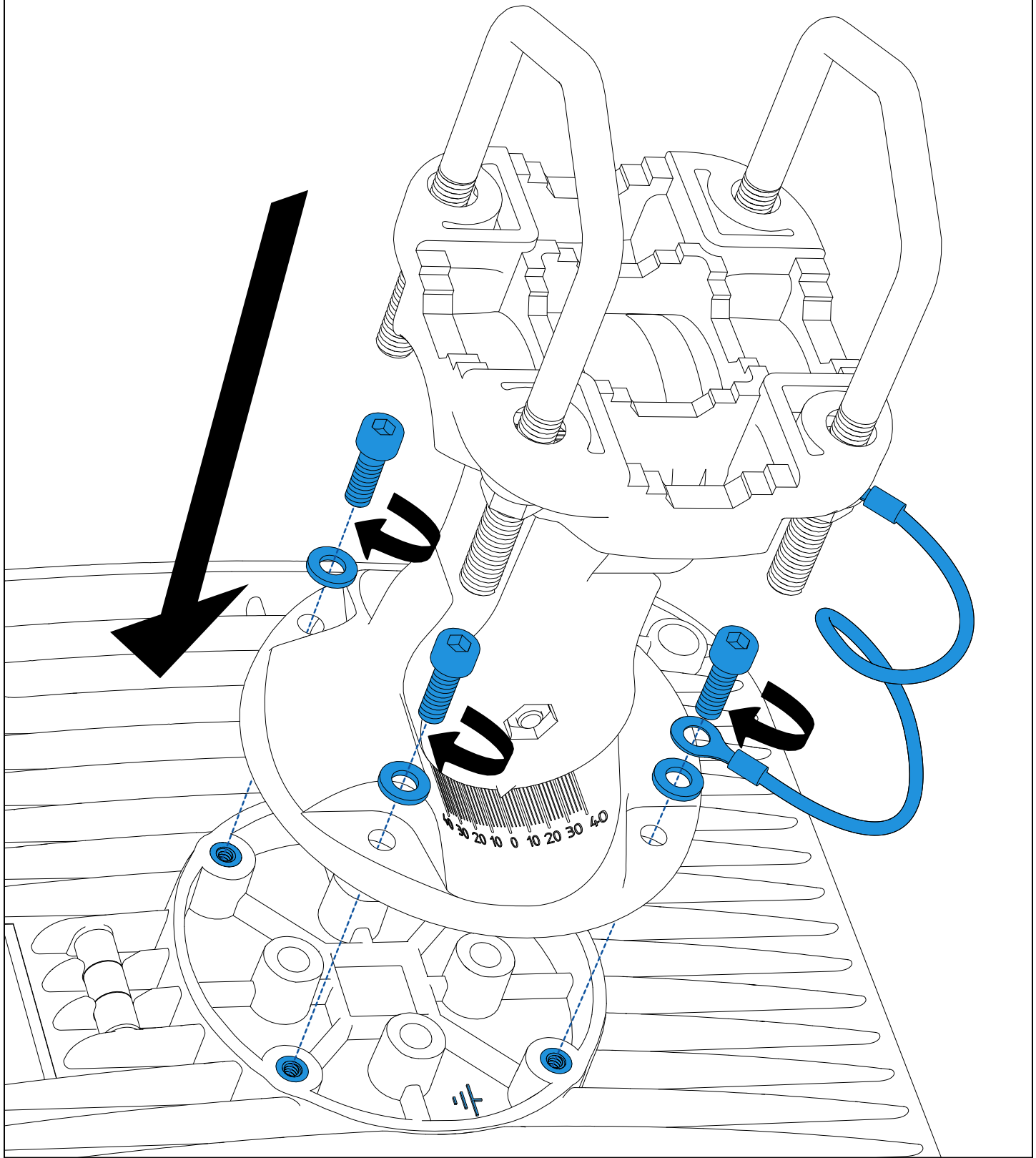


Antenna Installation



WiMount Installation

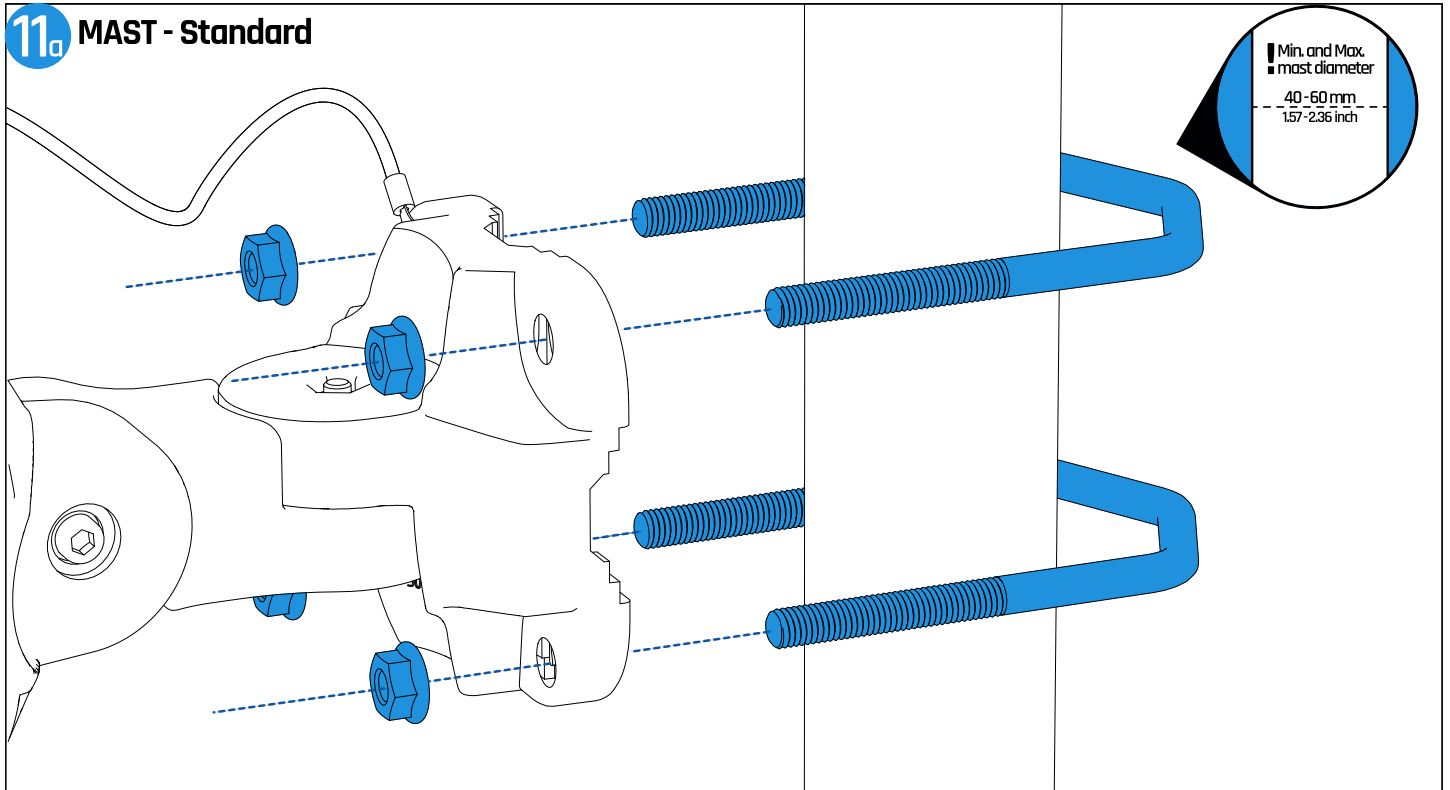
10



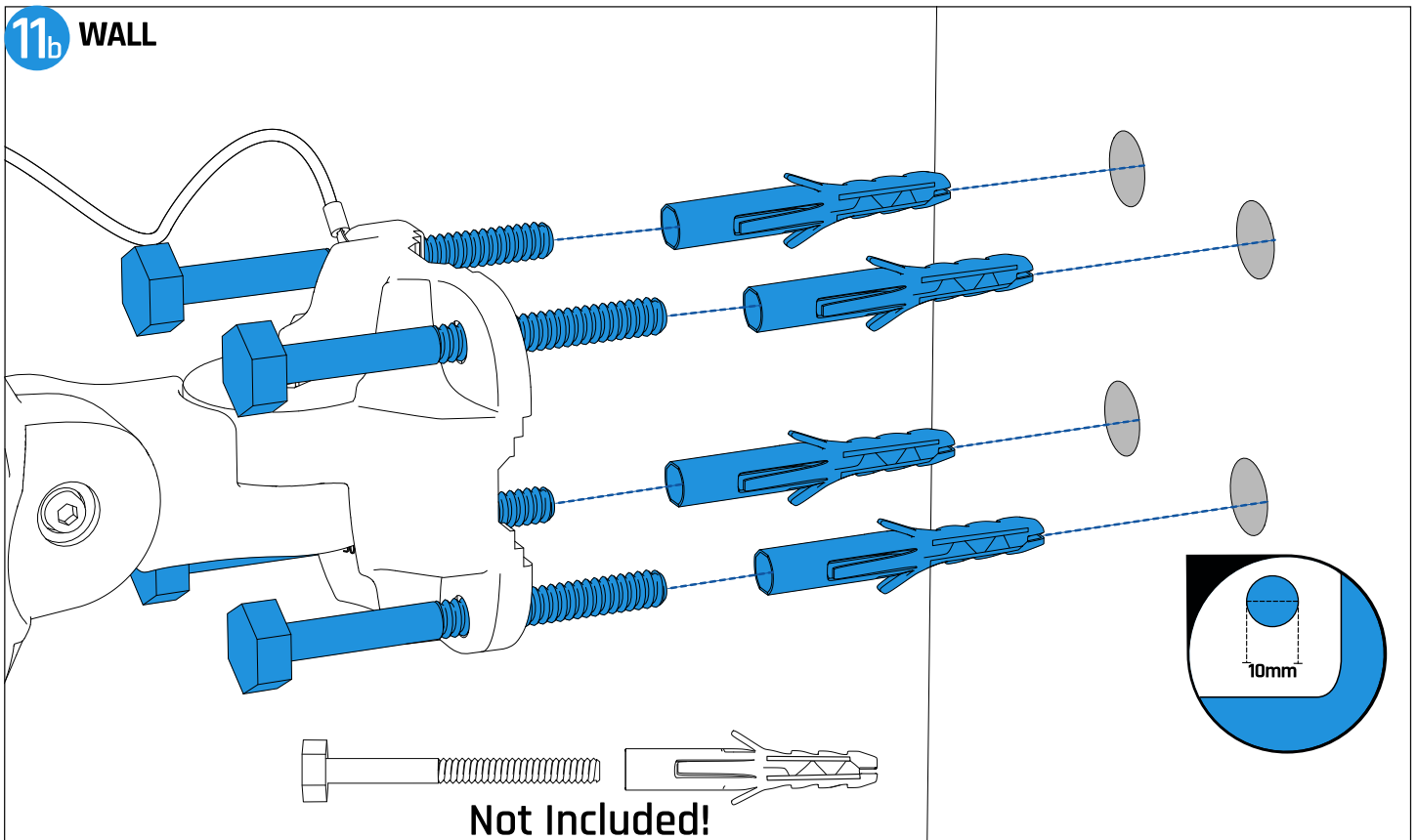
Mast and Wall Installation



11_a MAST - Standard



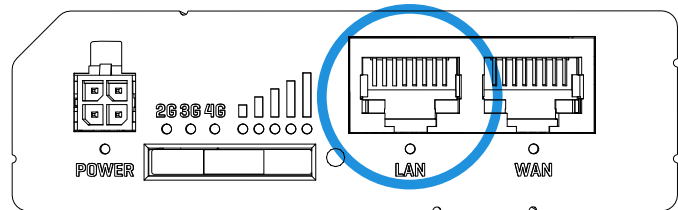
11_b WALL



12 POE Power Supply - STANDARD



Please note that Teltonika routers only support Passive PoE on the LAN1 port



Please note that:

- Teltonika routers are NOT COMPLIANT with the IEEE 802.3af-2003 standard: powering the device from an IEEE 802.3af-2003 power supply will damage the device as it is not rated for input voltages of the PoE standard.
- Teltonika routers NOT COMPLIANT with the IEEE 802.3at standard: it cannot power other devices over Ethernet.

For power supply, you can use our Gigabit Passive PoE power supply with a voltage of 56VDC: [QuPSU GP561](#)

