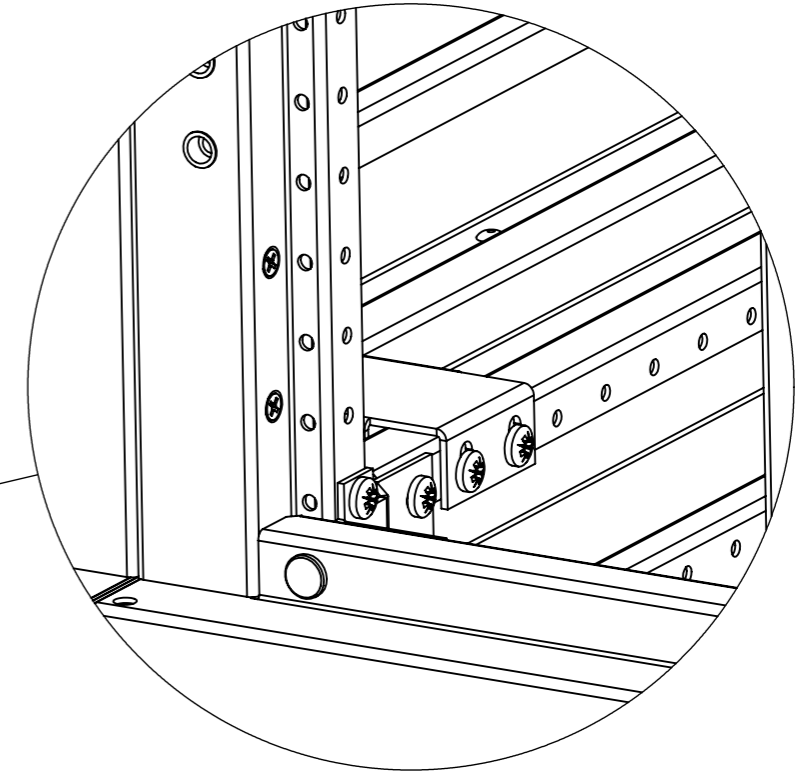


DETAIL A
SCALE 1 : 2



DETAIL B
SCALE 1 : 2

UNLESS OTHERWISE SPECIFIED:
DIMENSIONS ARE IN MILLIMETERS
Surface finish: μ
Linear : DIN 7168-m
Angular : DIN 7168-m
Hole : DIN 7168-m

FINISH

TITLE

NAME	SIGNATURE	DATE	Friday, March 15, 2013 3:26:38 PM
DRAWN FUAT ATASOY			MATERIAL: mm
MFG			Surface Area: mm ²
CHK'D			WEIGHT: gr.
Q A			

DWG NO.

SCALE 1 20

SHEET 1 OF 1