

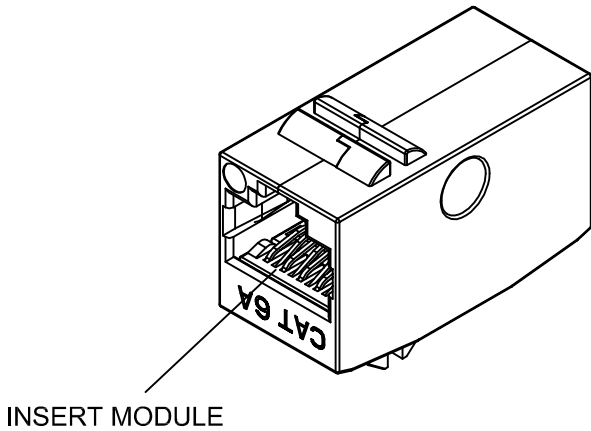
4

3

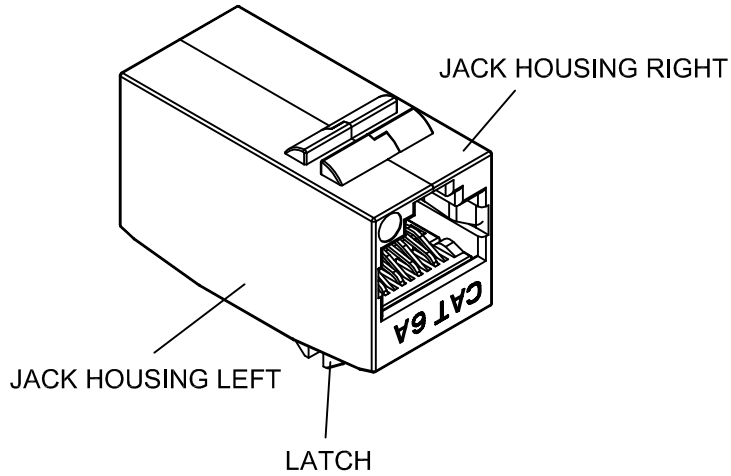
2

1

# ISOMETRIC VIEW



INSERT MODULE



JACK HOUSING RIGHT

JACK HOUSING LEFT

LATCH

REVISIONS				
ZONE	REV	DESCRIPTION	DATE	DRAWN
	A		08/17'12	

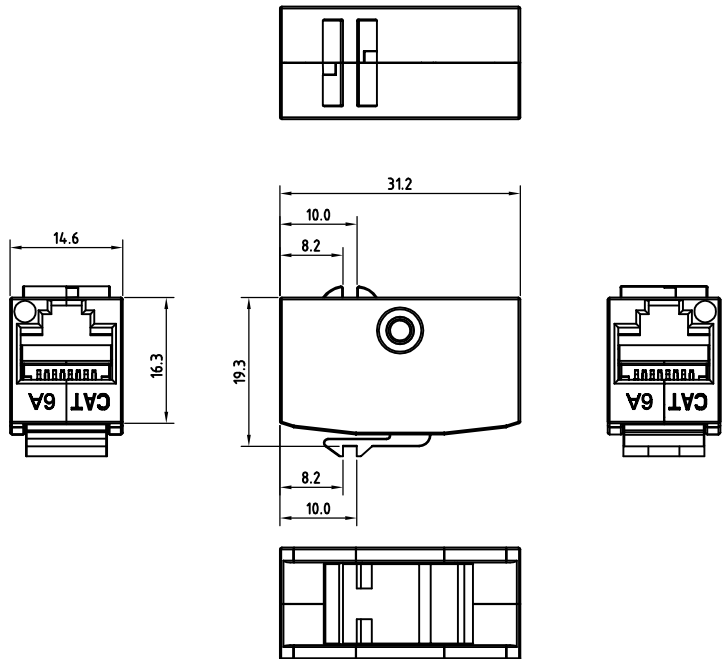


Transmission Performance:  
 Meet all requirements specified in channel requirement of:  
 ISO/IEC 11801, Class E<sub>A</sub>  
 ANSI/TIA-568-C.2, Category 6A

ELECTRICAL  
 Electrical Insulation Resistance : 500 MΩ min. @ 100V d.c.  
 Dielectric Withstanding Voltage : 1000V d.c. or a.c. Peak Contact to Contact @ 60Hz for 1 minute, 1500V d.c. or a.c. Peak Contact to Panel @ 60Hz for 1 minute

MECHANICAL  
 Retention : 50N (11 lbf) for 60s±5s  
 Insertion / Extraction Life : 750 Cycles Minimum  
 PHYSICAL  
 Housing : Zinc-alloy fully shielded  
 Spring Wire : Phosphor Bronze Alloy Plated With 50 micro-inch of Gold Over 70~100 micro-inch of Nickel

# ASSEMBLY DIMENSION



COMPONENTS		
ITEM	PART NAME	Q'TY
4	LATCH	1
3	INSERT MODULE	2
2	JACK HOUSING LEFT	1
1	JACK HOUSING RIGHT	1



UNLESS OTHERWISE SPECIFIED: TOLERANCES			PROJECT ID		TITLE
INCH	MM	ANGULAR	FILE	DATE	
.X ± .016	.X ± 0.2	X ± 1°			SIZE A4
.XX ± .008	.XX ± 0.1	.X ± .5°			
.XXX ± .004					DRAWING NUMBER
MATERIAL			DRAWN		PART NUMBER
SURFACE			CHECK		REV A
FINISH			APPROVED		SCALE
			UNIT	mm	SHEET 1 OF 1