
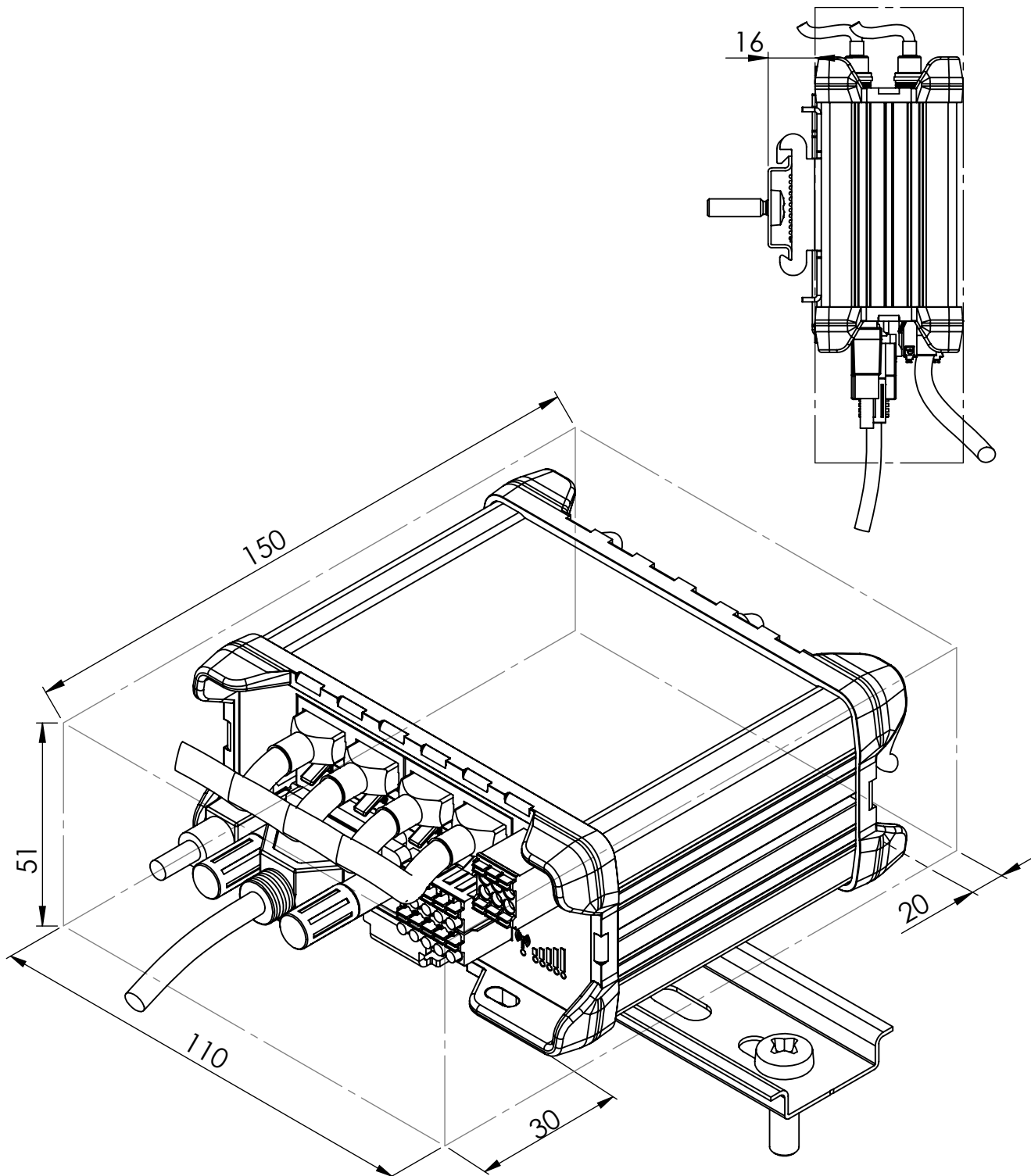


All dimensions will be specified in millimetres (mm)

UNLESS OTHERWISE SPECIFIED: DIMENSIONS ARE IN MILLIMETERS SURFACE FINISH: TOLERANCES: LINEAR: ANGULAR:				FINISH:		DEBUR AND BREAK SHARP EDGES		DO NOT SCALE DRAWING		REVISION RUT955_v3	
											
NAME		SIGNATURE		DATE		TITLE:					
DRAWN Aidas Gaška				2018.08.01		<h1>RUT955 Top and Right views</h1>					
MATERIAL:						DWG NO.		RUT955_R9XXDHS008		A4	
WEIGHT:						SCALE:1:2		SHEET 1 OF 4			



All dimensions will be specified in millimetres (mm)

UNLESS OTHERWISE SPECIFIED: DIMENSIONS ARE IN MILLIMETERS SURFACE FINISH: TOLERANCES: LINEAR: ANGULAR:				FINISH:		DEBUR AND BREAK SHARP EDGES		DO NOT SCALE DRAWING		REVISION RUT955_v3	
DRAWN Aidas Gaška				SIGNATURE		DATE 2018.08.01		TITLE: Mounting space requirements			
								DWG NO. RUT955_R9XXDHS008		A4	
				MATERIAL:				SCALE:1:2		SHEET 4 OF 4	
				WEIGHT:							