

PoE Switch

FSD-604HP

4-Port 10/100TX 802.3af/at PoE +
2-Port 10/100TX Desktop Switch



1. Package Contents

Check the following contents of your package:

FSD-604HP	User's Manual
	
Foot Pad	Power Cord
	

If any of these are missing or damaged, please contact your dealer immediately; if possible, retain the carton including the original packing material, and use them again to repack the product in case there is a need to return it to us for repair.

2. Product Features

■ RJ45 Interface

- 6-port 10/100TX Ethernet RJ45 copper
- 4-port IEEE 802.3at/af PoE Injector (Port-1 to Port-4)

■ Power over Ethernet

- Complies with IEEE 802.3af/at Power over Ethernet end-span PSE
- Up to 4 IEEE 802.3af/2 IEEE 802.3at devices powered
- Supports PoE power up to 30 watts for each PoE port
- 60-watt PoE budget
- Hardware DIP switch for "Standard" and "Extend" mode selection; the "Extend" mode features 30-watt PoE transmit distance of 250m at speed of 10Mbps and VLAN isolation
- Auto detects powered device (PD)
- Circuit protection prevents power interference between ports
- Remote power feeding up to 100m in standard mode

■ Switching

- Hardware-based 10/100Mbps auto-negotiation and auto MDI/MDI-X
- Flow control for full duplex operation and back pressure for half duplex operation
- 1536bytes packet size
- Integrates address look-up engine, supporting 2K absolute MAC addresses
- Automatic address learning and address aging
- Solid DIP switch to isolate ports to prevent broadcast storm and defend DHCP spoofing

■ Hardware

- Desktop palm size
- LED indicators for PoE ready/activity and LINK/ACT
- Supports Contact Discharge of $\pm 4\text{KV}$ DC and Air Discharge of $\pm 6\text{KV}$ DC for Ethernet ESD protection
- Supports $\pm 4\text{KV}$ Surge Immunity
- Internal AC power supply
- Fanless design

3. Switch Front Panel

Figure 3-1 shows the front panel of the FSD-604HP.

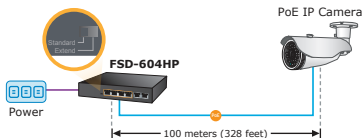


Figure 3-1: FSD-604HP Front Panel

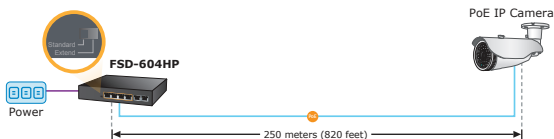
The front panel of the FSD-604HP provides one DIP switch for “**Standard**” and “**Extend**” mode selections. The detailed descriptions are shown in the following table.

DIP Switch Mode	Function
Standard (default)	This mode makes the FSD-604HP operate as a general switch and all ports operate at 10/100Mbps auto-negotiation.
Extend	<ul style="list-style-type: none">■ This mode makes the FSD-604HP operate as a VLAN isolation switch and port 1 to port 4 will isolate respectively. Port 1 to port 4 can communicate with port 5~6 (uplink port).■ This mode also makes the FSD-604HP operate at auto-negotiation 10Mbps speed duplex mode only, but the delivery distance of PoE power and network data can reach 250m.

Standard PoE Mode



Extend PoE Mode



-  100BASE-TX UTP with PoE
-  10BASE-T UTP with PoE



Note

After changing the mode, you need to manually restart the FSD-604HP to make the corresponding configuration take effect.

4. LED Indicators

System

LED	Color	Function
PWR	Orange	Lights to indicate the Switch has power.

Per 10/100Mbps Port

LED	Color	Function
PoE	Orange	Lights to indicate the port is providing 52V DC in-line power to remote PoE PD.
LNK/ACT	Green	Lights to indicate the link through that port is successfully established at 10/100Mbps. Blinks to indicate that the Switch is actively sending or receiving data over that port.

5. Switch Rear Panel

Figure 5-1 shows the rear panel of the FSD-604HP.



Figure 5-1: FSD-604HP Rear Panel



Power
Notice

1. The device is a power-required device, meaning it will not work till it is powered. If your networks should be active all the time, please consider using UPS (Uninterrupted Power Supply) for your device. It will prevent you from network data loss or network downtime.
2. In some areas, installing a surge suppression device may also help to protect your FSD-604HP from being damaged by unregulated surge or current to the FSD-604HP.

6. Installing the Switch

This part describes how to install your FSD-604HP and make connections to it. Please read the following topics and follow the procedures as presented.



Note

This FSD-604HP does not need software configuration.

Desktop Installation

To install the FSD-604HP on desktop, simply follow the following steps:

Step 1: Place the FSD-604HP on desktop near an electrical outlet.

Step 2: Keep enough ventilation space between the FSD-604HP and the surrounding objects.



Note

When choosing a location, please keep in mind the environmental restrictions discussed in Chapter 7 -- Product Specifications.

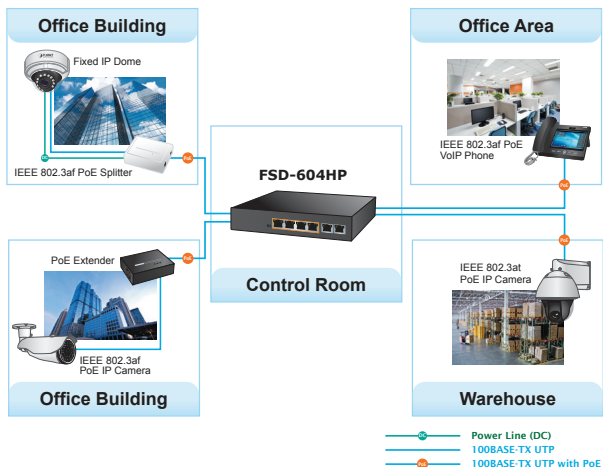
Step 3: Connect your FSD-504HP to network devices.

- A. Connect one end of a standard network cable to the **Port-5~6** of the FSD-604HP that marks with **"Uplink"**.

- B. Connect the other end of the cable to the network devices such as routers, Ethernet switches or NVRs (network video recorders).

Step 4: Connect your FSD-604HP to PoE PDs.

- A. Connect one end of a standard network cable to one of the four 10/100Mbps RJ45 PoE+ ports of the FSD-604HP.
- B. Connect the other end of the cable to the 802.3at/af PD.





Note

Cable distance for Switch

- If the **"DIP Switch Mode"** is set to **"Standard"**, then the distance between the FSD-604HP and PC/PD should not exceed 100 meters for UTP/STP cable.
- If the **"DIP Switch Mode"** is set to **"Extend"**, then the distance between the FSD-604HP and PC/PD should not exceed 250 meters.



Note

Make sure the wiring is correct

Category 3/4/5 cable can be used in 10 Mbps operation. To reliably operate your network at 100Mbps, you must use an unshielded twisted-pair (UTP) Category 5/5e cable, or better data grade cabling. While a Category 3 or 4 cable may initially seem to work, it will soon cause data loss.

Step 5: Supply power to the FSD-604HP.

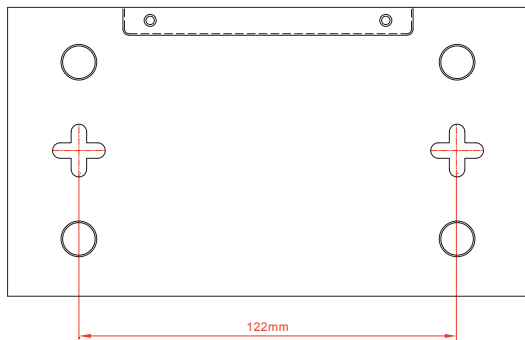
- Connect one end of the power cable to the Switch.
- Connect the power plug of the power cable to a standard wall outlet.

When the Switch receives power, the power LED should remain solid Orange.

Wall-mount Installation

Step 1: Please find the wall that can mount the FSD-604HP.

Step 2: Please refer to the picture below and screw the two screws on the wall.



Step 3: Hang the FSD-604HP on the screws from the wall.

Step 4: Repeat step 5 of **Desktop Installation** for power supply to the FSD-604HP.



Note

Before mounting the device to the wall, please check the location of the electrical outlet and the length of the Ethernet cable.

7. Product Specifications

Model	FSD-604HP 4-Port 10/100Mbps 802.3af/at PoE + 2-Port 10/100Mbps Desktop Switch
Hardware Specifications	
Network Connector	6-Port RJ45 for 10/100BASE-TX, auto MDI/MDIX
PoE Inject Port	4-Port with 802.3af/at PoE injector function (Port 1 to port 4)
LED Display	System: Power (Orange) Per PoE port: PoE (Orange, port 1 to port 4) LNK/ACT (Green, port 1 to port 6)
DIP Switch	Distance in Standard mode is 100M Distance in Extend Mode is 250M Base on the cable category
Switch Architecture	Store and Forward switch architecture
MAC Address Table	2K MAC address table with auto learning function
ESD Protection	6KV
Switch Fabric	1.2Gbps
Switch Throughput	0.89Mpps @64bytes
Maximum Packet Size	1536bytes
Flow Control	Back pressure for half duplex. IEEE 802.3x pause frame for full duplex
Power Requirements	AC 100~240V, 2A max.
Power Consumption	Max. 63 watts, 214 BTU
Dimensions (W x D x H)	168 x 93 x 32mm
Weight	499g

Power over Ethernet											
PoE Standard	IEEE 802.3af Power over Ethernet/PSE IEEE 802.3at Power over Ethernet Plus/ PSE										
PoE Power Supply Type	End-span										
Power Pin Assignment	1/2 (+), 3/6(-)										
PoE Power Output	Per Port 52V DC, 300mA. max. 15.4 watts (IEEE 802.3af) Per Port 52V DC, 600mA. max. 30 watts (IEEE 802.3at)										
PoE Power Budget	60 watts										
Number of PDs (7 watts)	4										
Number of PDs (15.4 watts)	4										
Number of PDs (30 watts)	2										
Standard Conformance											
EMI Safety	CE, FCC										
Standard Compliance	<table border="1"> <tbody> <tr> <td>IEEE 802.3</td> <td>Ethernet</td> </tr> <tr> <td>IEEE 802.3u</td> <td>Fast Ethernet</td> </tr> <tr> <td>IEEE 802.3x</td> <td>Flow Control</td> </tr> <tr> <td>IEEE 802.3af</td> <td>Power over Ethernet</td> </tr> <tr> <td>IEEE 802.3at</td> <td>Power over Ethernet Plus</td> </tr> </tbody> </table>	IEEE 802.3	Ethernet	IEEE 802.3u	Fast Ethernet	IEEE 802.3x	Flow Control	IEEE 802.3af	Power over Ethernet	IEEE 802.3at	Power over Ethernet Plus
IEEE 802.3	Ethernet										
IEEE 802.3u	Fast Ethernet										
IEEE 802.3x	Flow Control										
IEEE 802.3af	Power over Ethernet										
IEEE 802.3at	Power over Ethernet Plus										
Environment											
Operating Environment	0 ~ 50 degrees C										
Storage Environment	-10 ~ 70 degrees C										
Operating Humidity	5 ~ 95%, relative humidity, non- condensing										
Storage Humidity	5 ~ 95%, relative humidity, non- condensing										

8. Customer Support

Thank you for purchasing PLANET products. You can browse our online FAQ resource on PLANET Website first to check if it could solve your issue. If you need more support information, please contact PLANET switch support team.

PLANET online FAQ:

<http://www.planet.com.tw/en/support/faq.php?type1=1>

Switch support team mail address:

support_switch@planet.com.tw

Copyright © PLANET Technology Corp. 2017.

Contents are subject to revision without prior notice.

PLANET is a registered trademark of PLANET Technology Corp. All other trademarks belong to their respective owners.

www.PLANET.com.tw

PLANET Technology Corp.

11F., No. 96, Minquan Rd., Xindian Dist., New Taipei City 231, Taiwan

Warning:

This equipment is compliant with Class A of CISPR 32.
In a residential environment this equipment may cause radio interference.

2351-AK3250-000

