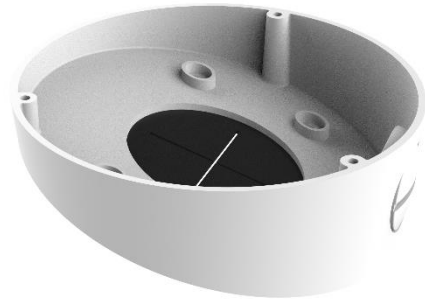


DS-1281ZJ-DM45

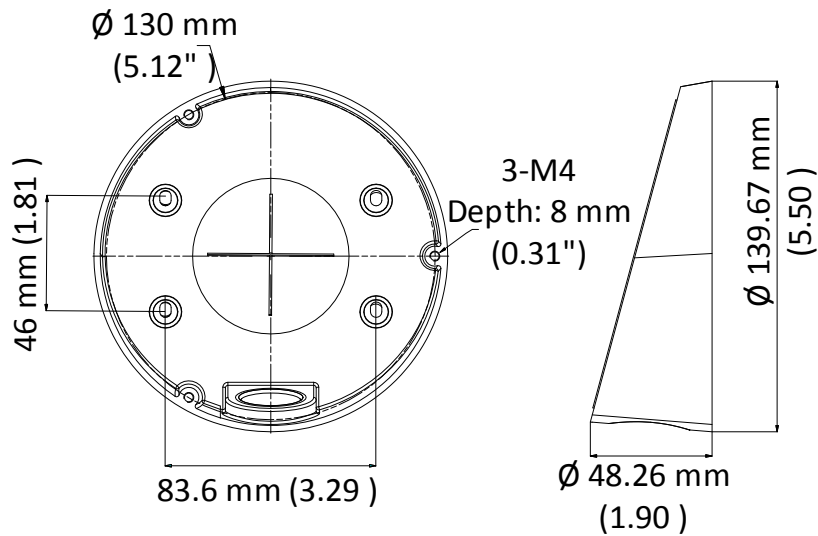
Inclined Ceiling Mount



Features

- Aluminum alloy with surface spray treatment
- Side inlet, and bottom inlet
- Applies to both indoor conditions, and outdoor conditions

Dimension



Available Model

DS-1281ZJ-DM45

Parameter

Model	DS-1281ZJ-DM45
Parameters	Inclined Ceiling Mount
Appearance	Hikvision White
Material	Aluminum Alloy
Dimension	Φ 139.67 mm × 48.26 mm (5.50" × 1.90")
Weight	Approx.: 190 g (0.46 lb.)

Notes

- The mount should be installed on the flat surface.
- The waterproof rubber is necessary for the outdoor application.
- The wall must be capable of supporting at least 3 times as much as the total weight of the camera, and the mount.
- The maximum load capacity of the mount is 3 kg (6.6 lb.).