

## DS-1697ZJ-X

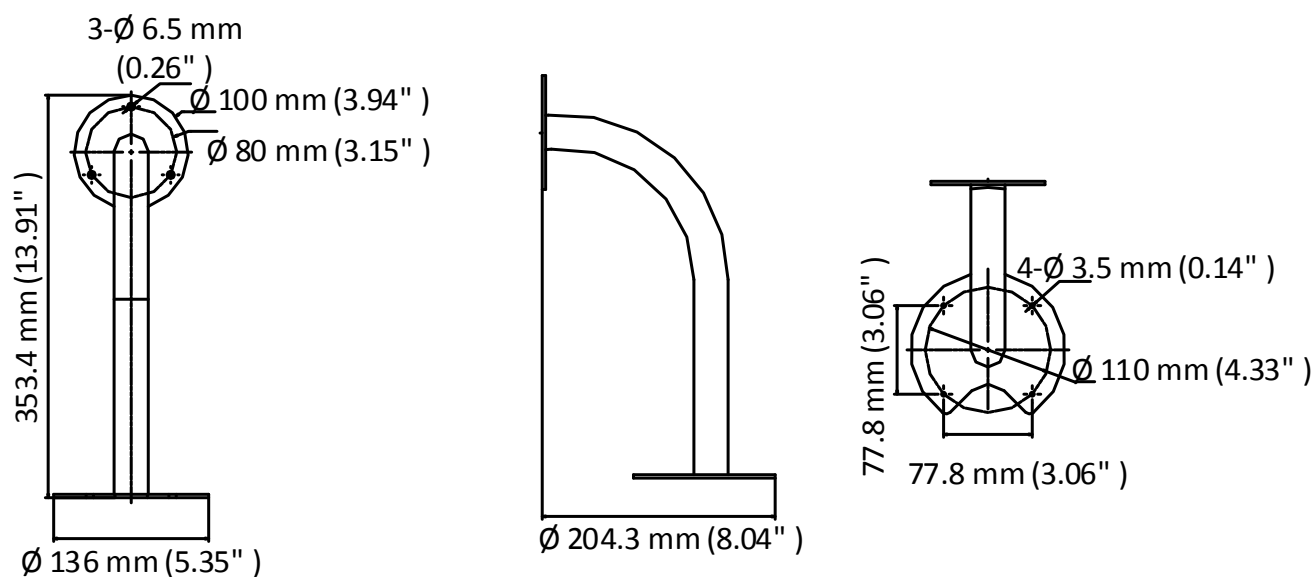
### Wall Mount



#### Feature

- Stainless steel with surface spray treatment
- Cable hole design facilitates the installation
- Applies to both indoor conditions and outdoor conditions

#### Dimension



#### Available Model

DS-1697ZJ-X

#### Parameter

Model	DS-1697ZJ-X
Parameters	Wall Mount
Appearance	Natural Steel Color
Material	SUS316L
Dimension	Ø 136 mm × 204.3 mm × 353.4 mm (Ø 5.35" × 8.04" × 13.91")
Weight	1042 g (2.29 lb.)

#### Note

- The mount should be installed on the flat surface.
- The waterproof rubber is necessary for the outdoor application.
- The wall must be capable of supporting at least 3 times as much as the total weight of the camera, and the mount.
- The mount's maximum load capacity is 15 kg (33 lb.).