



ACC ES Rugged 8-Port Appliance

A Rugged and Reliable Solution For Harsh Environmental Conditions

The Avigilon Control Center (ACC) ES Rugged Appliance is purpose-built to meet the challenges that are commonly faced in city security, critical infrastructure and temporary security applications. As a rugged device, it incorporates a fanless design, solid-state storage and an 8-port PoE switch, all packaged in a heavy-duty enclosure. As a result, it is designed to provide a reliable solution that is suited for harsh environmental conditions such as extreme temperatures, without requiring the addition of expensive heating or air conditioning systems.

Features



VIDEO ANALYTICS

Supports object detection and classification for live or forensic analytic events like objects in area, loitering, crossing beam, etc.



EMBEDDED VIDEO MANAGEMENT SOFTWARE

Pre-configured with ACC™ software



LOW VOLTAGE OPERATION

Operable with any 9-32VDC 100W power source



SOLID-STATE STORAGE

Robust storage design increases reliability with minimal heat build-up and better resistance to vibration and shock



8-PORT PoE SWITCH

Embedded PoE switch for greater installation convenience



REMOTE NOTIFICATIONS

Receive instant notifications to any mobile device with full support for remote alerts



WEB ENDPOINT TECHNOLOGY

Optimized for mobile connections out-of-the-box with built-in web endpoint technology



SHOCK AND VIBRATION TOLERANT

Tested to MIL-STD-810G



ISOLATED DIGITAL I/O

Greater reliability with more resilience against ground loops and electrical interference



HIGH TEMPERATURE RANGE

Optimized to operate reliably even at increased temperature variances

Specifications

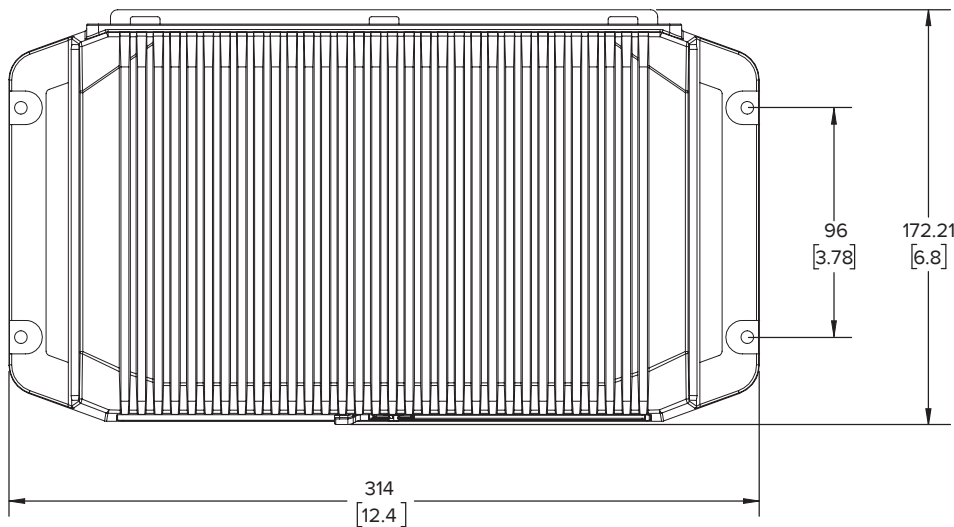
SYSTEM	Control Center Edition	Core, Standard, and Enterprise* compatible (ACC camera licenses are sold separately)
	Video Analytics	Analytics features are included by default with the addition of ACC camera licenses
	SSD Storage	1 x 2.5" SSD (2 or 4TB)
	Recording Rate	130 Mbps
	Stream Out Rate	50 Mbps
	PoE+ Ports	8 x 10/100 Mbps
	Total PoE Budget	60 W
	Uplink	2 x 1 GbE
	External I/O Terminals	6 x Isolated Digital Inputs, 4 x Dry Contact Outputs
	* Enterprise: Site support for up to 24 servers, 500 cameras and 100 defined users	
MECHANICAL	Dimensions (LxWxH)	172.21 x 314 x 76.02 mm; 12.4 x 6.8 x 2.8 in
	Weight	4.2 kg (unit); 9.25 lbs
	Mounting	Surface mount or DIN rail options included
ELECTRICAL	System Power Input	9-32VDC (power supply options sold separately)
	Power Consumption	100W maximum
ENVIRONMENTAL	Operating Temperature	-30° C to 70° C (-22° F to 158° F)
	Storage Temperature	-40° C to 85° C (-40° F to 185° F)
	Humidity	95% relative humidity @40° C (104° F) (non-condensing)
	Vibration	MIL-STD-810G (vibration) EN 60721-3-5M3 (vibration + shock)
CERTIFICATIONS	Certifications/Directives	UL, cUL, CE, RCM
	Safety	UL 60950-1, CSA 60950-1, IEC/EN 60950-1*
	Electromagnetic Emissions	FCC Part 15 Subpart B Class A, IC ICES-003 Class A, EN 55032 Class A, EN 61000-6-4, EN 61000-3-2, EN 61000-3-3
	Electromagnetic Immunity	EN 55035, EN 61000-6-2
	* UL/CSA/IEC/EN 60950-1 certified to 40C ambient	

Supported Video Analytics Features

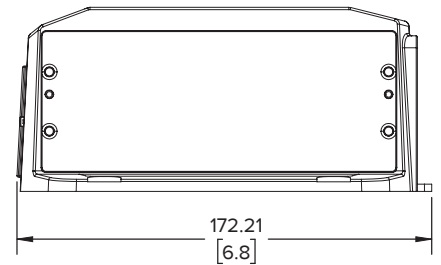
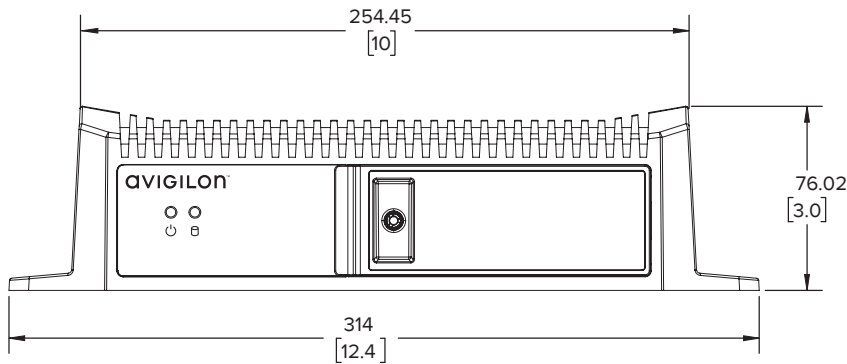
Objects in Area	The event is triggered when the selected number of objects are present in the region of interest. The object can appear from within the region of interest or enter from outside.
Object Loitering	The event is triggered for each object that stays within the region of interest for an extended amount of time.
Objects Crossing Beam	The event is triggered when the specified number of objects have crossed the directional beam that is configured over the camera's field of view in the selected time period. The beam can be unidirectional or bidirectional.
Object Appears or Enters Area	The event is triggered by each object present in the region of interest. The object can appear from within the region of interest or enter from outside.
Object Not Present in Area	The event is triggered when no objects are present in the region of interest.
Objects Enter Area	The event is triggered when the specified number of objects have entered the region of interest from outside of the region.
Objects Leave Area	The event is triggered when the specified number of objects have left the region of interest.
Object Stops in Area	The event is triggered for each object in a region of interest that stops moving for the specified threshold time.
Direction Violated	The event is triggered for each object that moves in the prohibited direction of travel.
Tamper Detection	The event is triggered when the scene unexpectedly changes.
Idle Scene Mode	Analytic capable cameras will stream at a different image rate and reduced quality while no events are detected in the scene.

ANALYTICS SUPPORT (MAX. VIDEO STREAMS PER RESOLUTION)	352 x 240	16
	720 x 480 (encoder NTSC mode)	10
	1MP (15 fps 30 fps)	11 11
	2MP (15 fps 30 fps)	6 6
	3MP (15 fps 30 fps)	4 4
	5MP (15 fps 30 fps)	3 3
	8MP (15 fps 30 fps)	2 2

Outline Dimensions



[X.X]	INCHES
X	MM



ORDERING INFORMATION

PRODUCTS

VMA-RPA-RGD-8P2	ACC ES Rugged 8-Port Appliance, 2TB. ACC licenses sold separately
VMA-RPA-RGD-8P4	ACC ES Rugged 8-Port Appliance, 4TB. ACC licenses sold separately

ACCESSORIES

PS-220W-RPA-RGD-8P-NA	External Power Supply, ES Rugged 8P Appliance, NA power plug
PS-220W-RPA-RGD-8P-UK	External Power Supply, ES Rugged 8P Appliance, UK power plug
PS-220W-RPA-RGD-8P-EU	External Power Supply, ES Rugged 8P Appliance, EU power plug
PS-220W-RPA-RGD-8P-AU	External Power Supply, ES Rugged 8P Appliance, AU power plug
DINPS-240W-RPA-RGD-8P	DIN Mount Power Supply, ES Rugged 8P Appliance

LICENSES

ACC7-COR	ACC 7 Core Edition camera license
ACC7-STD	ACC 7 Standard Edition camera license
ACC7-ENT	ACC 7 Enterprise Edition camera license

PS-220W-RPA-RGD-8P-NA =  PS-220W-RPA-RGD-8P-UK =  PS-220W-RPA-RGD-8P-EU =  PS-220W-RPA-RGD-8P-AU = 