

2 MP

5 MP

Up to 10-Year Warranty

Alta H6M Mini Dome cameras

Small size, mighty performance, now in the cloud



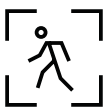
The Avigilon Alta H6 Mini Dome camera combines form and function for superior indoor and outdoor security. Enjoy 24/7 visibility with up to 5 MP resolution, a wide field of view, and built-in IR illumination, all in a discreet design that integrates with the Alta cloud platform.



Compliant with NDAA 2019 Section 889

Features

AI-powered insights



Stay informed about what's happening at your site with integrated video analytics to identify objects and receive loitering alerts, proactively addressing threats for a safer environment.

Effortless installation



Install quickly using a modular design. Attach the camera to surfaces, ceilings, or pendant mounts for indoor settings, or utilize surface and pendant mounts for outdoor use applications.

See what matters most



Get detailed visuals and comprehensive awareness with 2 to 5 MP resolution and a broad field of view. Built-in IR illumination provides clear visibility in low-light conditions.



24/7 awareness from anywhere

Access live and recorded videos on any device, at any time. Secure cloud access through a browser or app provides instant, real-time updates and awareness.



Durable design

Take on the outdoors with cameras rated IK10 and IP66/67. These resilient cameras withstand harsh weather and potential vandalism, offering robust security while remaining cost-effective.



Trusted & secure

Avigilon Alta video security solutions safeguard your data from the camera to the cloud with a reliable, cyber-secure platform. This design delivers end-to-end protection.

To learn more, visit avigilon.com/h6m



Specifications

Image performance		2 MP	5 MP
Image sensor		1/2.8" progressive scan CMOS	
Active pixels (H x V)		1920 x 1080	2592 x 1944
Aspect ratio		16:9	4:3, 16:9
Dynamic range	Indoor cameras	100 dB (HDR off) upto 120 dB (HDR on)	
	Outdoor cameras	83dB (HDR off) upto 120dB (HDR on)	
Max. frame rate (50 Hz/60 Hz)		15fps	
Streaming resolutions: (H x V)	Maximum	1920 x 1080	2592 x 1944
	High	1920 x 1080	2592 x 1944
	Medium	720 x 480	960 x 720
	Low	512 x 288	640 x 480

* Measured according to IEC 62676 (Part 5)

Lens and IR		2 MP	5 MP
Lens		2.95 mm, F/2.0 (D1 Indoor cameras) 2.4 mm, F/2.1 (D2 Indoor cameras) 2.99 mm, F/2.0 (Outdoor cameras)	
Angle of view (H x V)		108° x 61°	D1: 100° x 75° (4:3) D1: 100° x 54° (16:9) D2: 123° x 93° (4:3) D2: 123° x 69° (16:9)
IR illumination (high power 850nm LEDs)		33ft (10m) max. distance at 0 lux (Indoor models with IR) 66ft (20m) max. distance at 0 lux (Outdoor models)	
Minimum illumination	With IR	0 lux in color or monochrome mode	
	Without IR	0.005 lux in monochrome mode 0.01 lux in color mode	0.01 lux in monochrome mode 0.02 lux in color mode



Image control	
Image compression method	H.264
Electronic shutter control	Automatic
Iris control	Fixed
Day/Night control	Automatic, Manual
Flicker control	50/60 Hz
White balance	Automatic
Privacy zones	Up to 64

Network	
Network	100BASE-TX
Cabling Type	CAT5e minimum
Connector	RJ-45
ONVIF ¹	ONVIF compliance, Profile S, Profile T, Profile G, and Profile M (www.onvif.org)
Security	Password protection, HTTPS encryption, 802.1X port based authentication
Protocol	IPv6, IPv4, HTTP, HTTPS, SOAP, DNS, NTP, RTSP, RTCP, RTP, TCP, UDP, IGMP, ICMP, DHCP, ARP, HSTS
Streaming Protocols	WebRTC, RTP/RTSP/UDP, RTP/RTSP/TCP, RTP/RTSP/HTTP/TCP, RTP/RTSP/HTTPS/TCP
Platform Compatibility	Avigilon Alta Video, Avigilon Unity ACC ¹ , 3rd party VMS ¹

¹ Requires the camera to be running Avigilon Unity firmware.



Mechanical		Surface mount	In-ceiling mount	Pendant mount
Dimensions (LxWxH)	Indoor cameras	2.9" x 2.9" x 2.5" (75mm x 75mm x 63mm)	3.6" x 3.6" x 4.3" (91mm x 91mm x 108mm)	3.1" x 3.1" x 6.1" (80mm x 80mm x 155mm)
	Outdoor cameras	4.2" x 4.2" x 3.2" (106mm x 106mm x 81mm)	N/A	4.6" x 4.6" x 5.7" (121mm x 121mm x 146mm)
Weight	Indoor cameras	0.37 lb (166g) (Camera only)	0.42 lb (190g) (Camera + mount)	0.48 lb (218g) (Camera + mount)
	Outdoor cameras	0.93 lb (420g) (Camera only)	N/A	1.35 lb (614g) (Camera + mount)
Maximum Ceiling Thickness		N/A	1.75" (44.5 mm)	N/A
Dome Bubble		Polycarbonate		
Body		Polycarbonate and aluminum		
Housing		N/A	In-ceiling mount	Pendant mount
Finish		Plastic injection mold close to RAL9002 and Black; Powdercoat Gray, AKZO Nobel JP301H; Sand Grain Texture with Satin Sheen		

Electrical		
PoE Power Consumption	Indoor cameras	6W Maximum
	Outdoor cameras	10W Maximum
PoE Power Source	Indoor cameras	IEEE 802.3af, Class 2 compliant
	Outdoor cameras	IEEE 802.3af, Class 3 compliant
IR illuminator behavior	Indoor cameras	IR illuminator turns off at temperatures above 117°F (47°C) . IR illuminator operates at 50% between 143°F (45°C) and 117°F (47°C).
	Outdoor cameras	IR illuminator turns off at temperatures above 136°F (58°C) . IR illuminator operates at 70% between 95°F (35°C) and 136°F (58°C).
External power connector		N/A
RTC Backup Battery		3V manganese lithium



Environmental		
Operating temperature	Indoor cameras	14°F to 122°F (-10°C to +50°C)
	Outdoor cameras	-4°F to +140°F (-20°C to +60°C)
Boot temperature*	Indoor cameras	32°F to 122°F (0°C to +50°C)
	Outdoor cameras	-4°F to +140°F (-20°C to +60°C)
Storage temperature	Indoor cameras	-22°F to 158°F (-30°C to +70°C)
	Outdoor cameras	14°F to 140°F (-10°C to +60°C)
Humidity		10 - 95% non-condensing
Environment	Indoor cameras	Indoor environments/applications
	Outdoor cameras	Outdoor environments/applications

* Connection/Streaming expected within 5 minutes, Full Operation expected within 60 minutes.

Certifications	
Certifications/Directives	UL, cUL, CE, ROHS, RCM, UKCA, NOM, KC, BIS
Safety Standards	UL 62368-1, CSA 62368-1, IEC/EN 62368-1
Electromagnetic Emissions Standards	FCC Part 15 Subpart B (Class A), ICES-003 (Class A), EN 55032 (Class A), EN IEC 61000-6-8 (Class A), EN 61000-3-2, EN 61000-3-3
Electromagnetic Immunity Standards	EN 55035, EN 61000-6-1, EN 61000-6-2, EN 50121-4, EN 50130-4
Warranty	10 Year Warranty



Analytics specifications

Detected attributes	
Object Attributes	Any object
	Vehicle Sub-types: <ul style="list-style-type: none"> • Small/Medium Vehicles (sedan, SUV, pickup truck, etc.) • Large Vehicles (bus, truck) • Two-wheeled Vehicles (bicycle, motorcycle) • Unclassified Vehicles Color: <ul style="list-style-type: none"> • Only this color • Ignore this color License plate ¹ : <ul style="list-style-type: none"> • Any plate • Exact match • Matches group • Starts with • Ends with • Includes • Exclude <groups>
	Person: <ul style="list-style-type: none"> • Fall detection (Search only) • Accessories: With/Without bag, Bag Held/Dropped/Picked up (Search only) • Color: Only this color, Ignore this color, Upper body clothing color, Lower body clothing color
Face ² : <ul style="list-style-type: none"> • All faces • Select watchlists 	

¹ Requires additional license.

² Requires additional license. Check national and local legislation for guidance on the use of face search and face watchlists.



Supported analytic rules

Anomaly	Rule triggered on detected anomalies based on: <ul style="list-style-type: none">• Unusual time of day• Unusual location• Unusual velocity
Appearance	Rule triggered when an object of the selected type and attributes appears in the region of interest.
Loitering	Rule triggered when an object of the selected type and attributes loiters in the selected area for the selected period of time.
Line crossing	Rule triggered when an object of the selected type and attributes crosses the line. The line can be unidirectional or bidirectional.
Counts	Rule triggered when the count of objects of the selected type either exceeds or is less than the selected threshold.
Line Crossing Count	Rule triggered when the specific number of objects of the selected type either cross a line to enter or leave an area.
License Plate Detection ⁴	Rule triggered when a license plate is detected. <ul style="list-style-type: none">• Any plate• Exact match• Matches groups• Starts with• Ends with• Includes
Access Control	When integrated with suitable access control systems, create rules for access events.

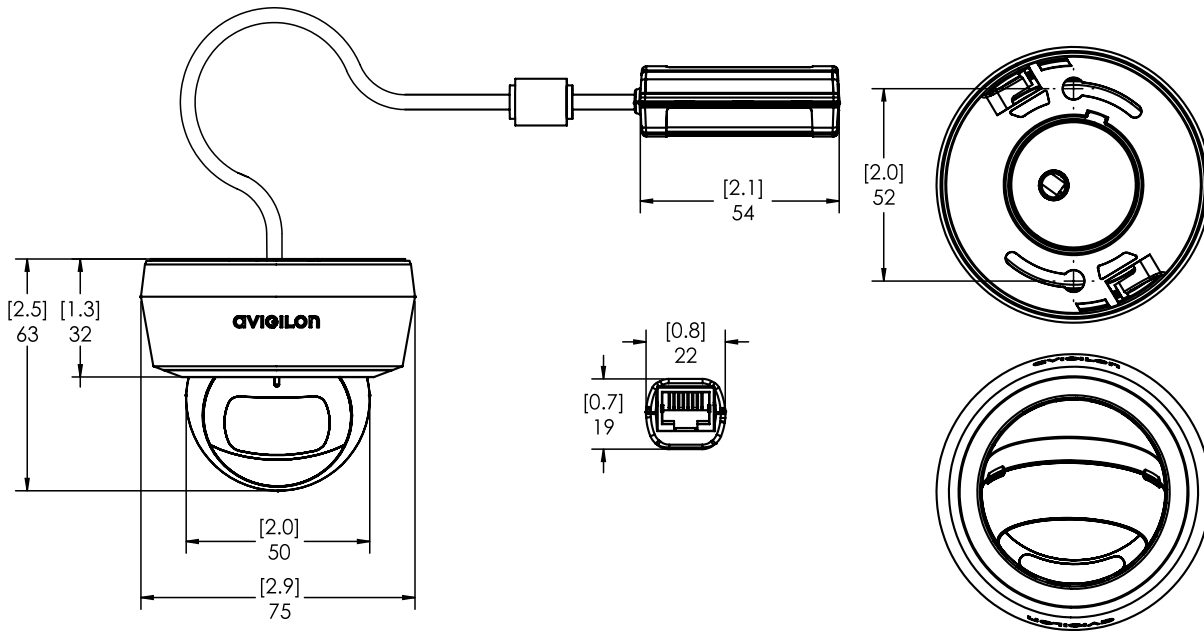
⁴ Requires additional license.



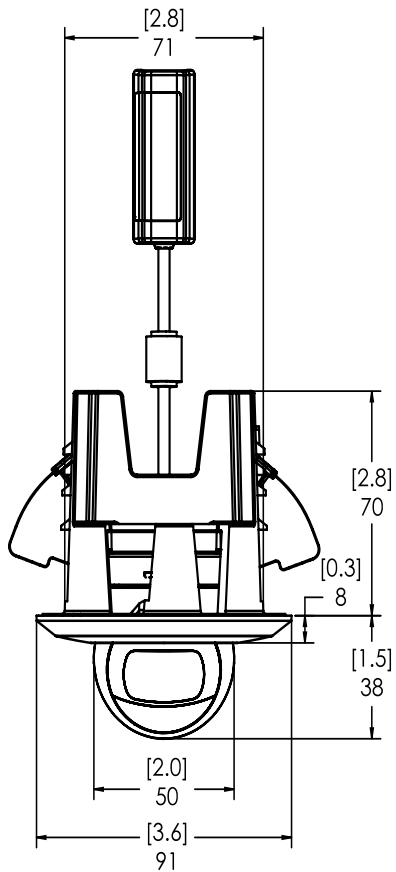
Outline dimensions – Indoor cameras

[X.X]	INCHES
X	MM

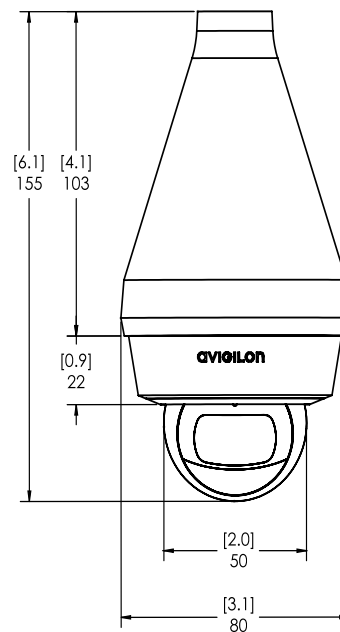
Surface mount



In-ceiling mount



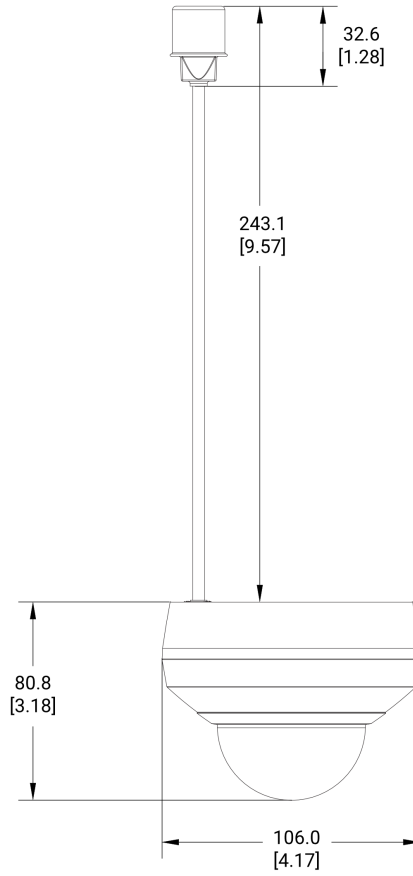
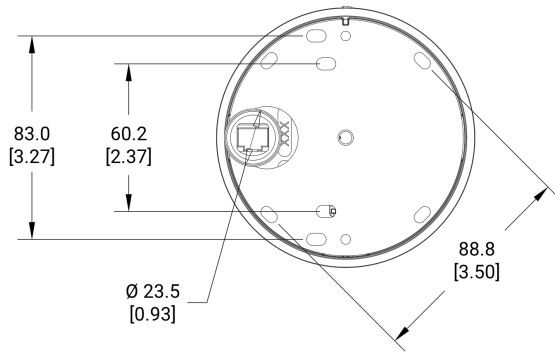
Pendant mount



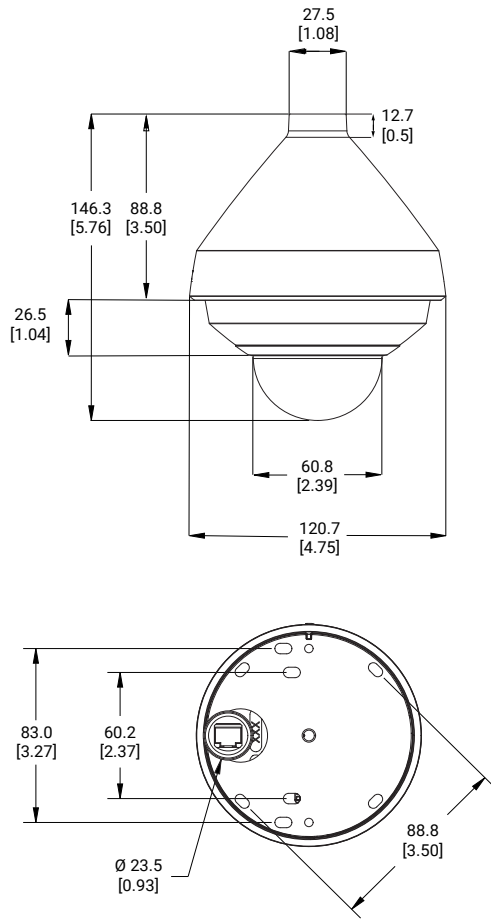
Outline dimensions – Outdoor cameras

[X.X]	INCHES
X	MM

Surface mount



Pendant mount



Ordering information

Indoor cameras

Model number	MP	Lens	IR	Storage (Days)
2.0C-H6M-D1-30	2.0	2.95 mm		30
2.0C-H6M-D1-60	2.0	2.95 mm		60
2.0C-H6M-D1-120	2.0	2.95 mm		120
2.0C-H6M-D1-365	2.0	2.95 mm		365
2.0C-H6M-D1-IR-30	2.0	2.95 mm	✓	30
2.0C-H6M-D1-IR-60	2.0	2.95 mm	✓	60
2.0C-H6M-D1-IR-120	2.0	2.95 mm	✓	120
2.0C-H6M-D1-IR-365	2.0	2.95 mm	✓	365
5.0C-H6M-D1-30	5.0	2.95 mm		30
5.0C-H6M-D1-60	5.0	2.95 mm		60
5.0C-H6M-D1-120	5.0	2.95 mm		120
5.0C-H6M-D2-IR-30	5.0	2.4 mm	✓	30
5.0C-H6M-D2-IR-60	5.0	2.4 mm	✓	60
5.0C-H6M-D2-IR-120	5.0	2.4 mm	✓	120

Indoor camera accessories

Part Number	Description
H6M-BZL-1-BL	Pack of 5 black surface mount bezels
H6M-BZL1-GRY	Pack of 5 grey surface mount bezels
H6M-MT-DCIL1	Grey in-ceiling mount adapter
H6M-MT-DCIL1-BL	Black in-ceiling mount adapter
H6M-MT-NPTA1	Grey pendant mount adapter
H6M-MT-NPTA1-BL	Black pendant mount adapter



Outdoor cameras

Model number	MP	Lens	IR	IP66/IP67, Type4x	Storage (days)
2.0C-H6M-DO1-IR-30	2.0	2.99 mm	✓	✓	30
2.0C-H6M-DO1-IR-60	2.0	2.99 mm	✓	✓	60
2.0C-H6M-DO1-IR-120	2.0	2.99 mm	✓	✓	120
2.0C-H6M-DO1-IR-365	2.0	2.99 mm	✓	✓	365
5.0C-H6M-DO1-IR-30	5.0	2.99 mm	✓	✓	30
5.0C-H6M-DO1-IR-60	5.0	2.99 mm	✓	✓	60
5.0C-H6M-DO1-IR-120	5.0	2.99 mm	✓	✓	120

Outdoor camera accessories

Part Number	Description
H6M-MT-NPTA1	Grey pendant mount adapter
MSI-NPTCON-1001	1-1/2" x 1/2" NPT male adapter
MSI-LD-1E	Replacement cover, clear/grey 0dr Mini
MSI-LD-0E	Replacement cover, 50% smoke/grey, 0dr, Mini
MSI-MT-ECLR	Side conduit mount, 0dr, Mini



Support

For product support, visit: avigilon.com/support or to contact Sales, email sales@avigilon.com.

To learn more, visit: avigilon.com/h6m, or to read the customer documentation, see docs.avigilon.com/bundle/alta-video/page/Products/Cameras.htm.

Jul 2025 | Rev 1



AVIGILON

Motorola Solutions, Inc. 500 West Monroe Street, Chicago, IL 60661 U.S.A. motorolasolutions.com

© 2025, Avigilon Corporation. All rights reserved. MOTOROLA, MOTO, MOTOROLA SOLUTIONS and the Stylized M Logo are trademarks or registered trademarks of Motorola Trademark Holdings, LLC and are used under license. All other trademarks are the property of their respective owners.

20250725-en