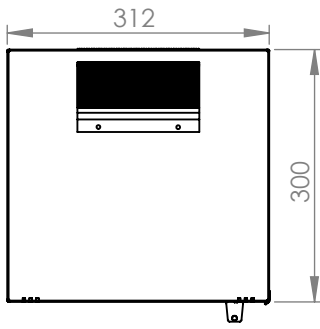
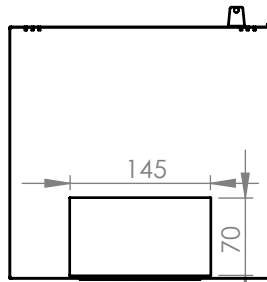


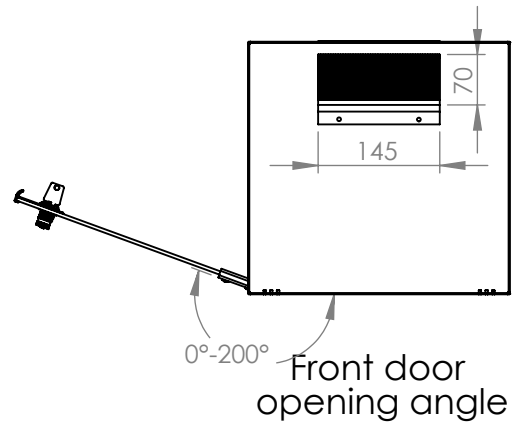
WCAB 10 312X300X6U  
 WCAB 10 312X300X6U BL  
 WCAB 10 312X300X9U  
 WCAB 10 312X300X9U BL



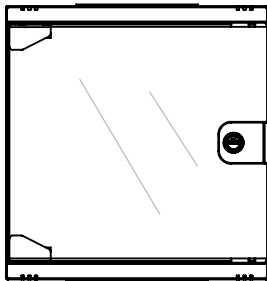
Top view



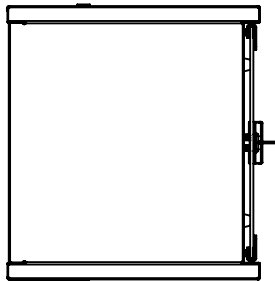
Bottom view



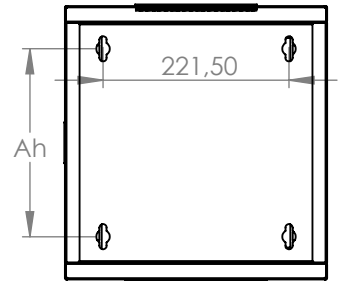
0°-200° Front door opening angle



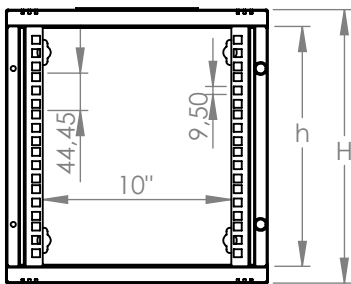
Front view



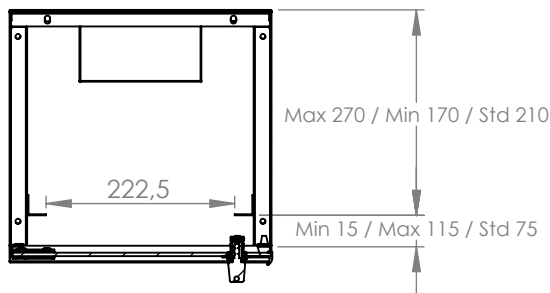
Side view



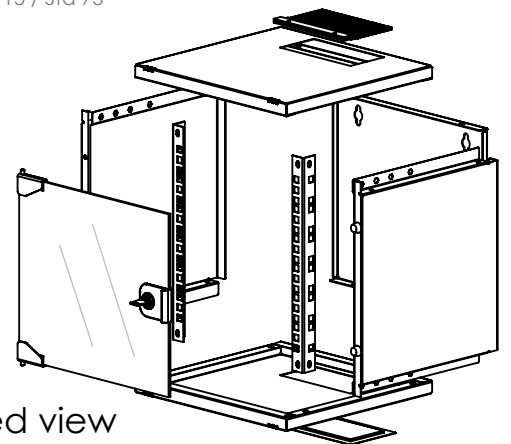
Rear view



Dimension in width and height



Max/Std/Min equipment mounting distance

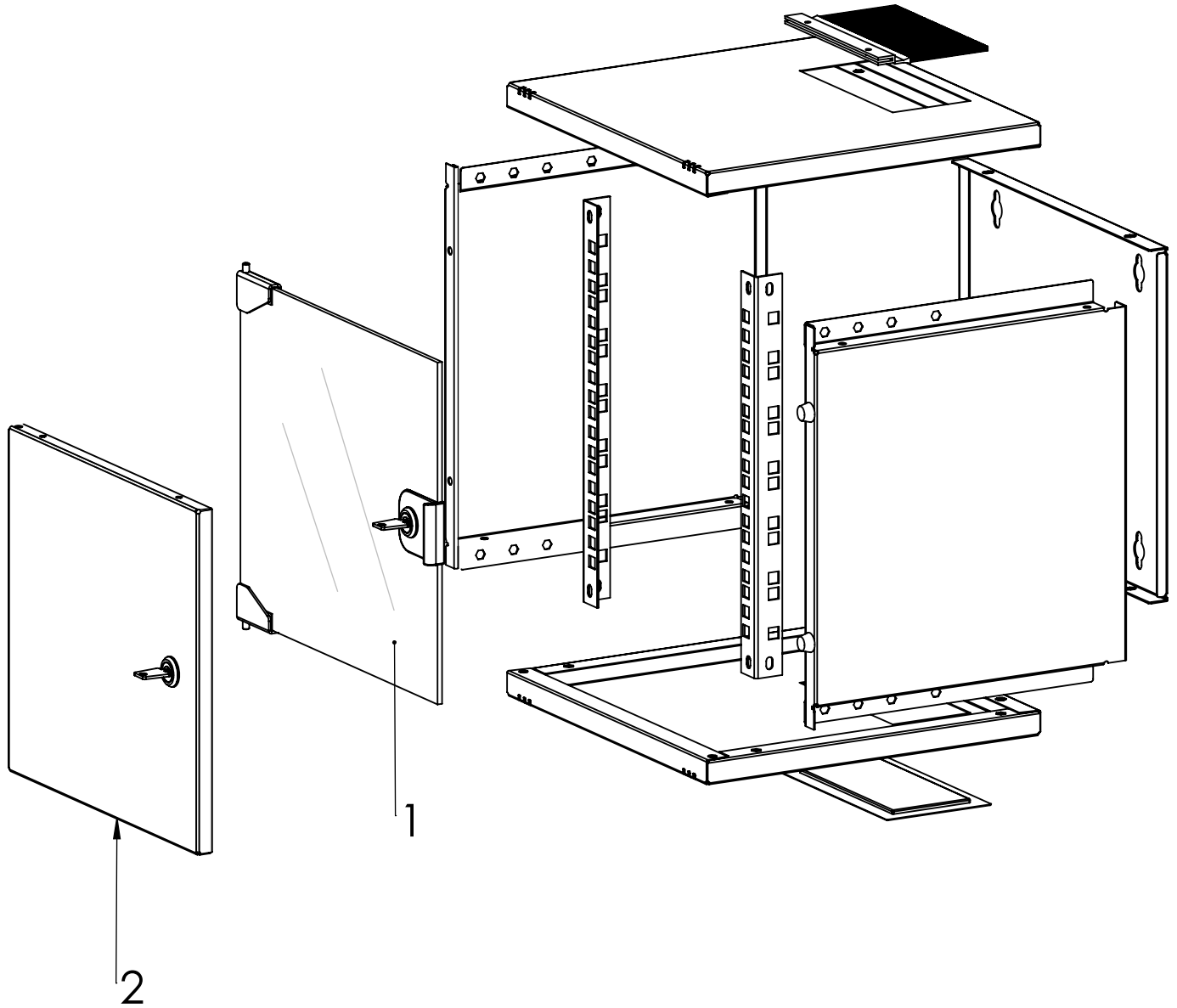


Exploded view

	Ah	H	h
6U	223	330	323
9U	357	464	457

DRAWN BY		DATE	30.03.2020	REVISION No.	
PRODUCT PART NUMBER & DESCRIPTION	PART NUMBER: WCAB 10 312X300X6U WCAB 10 312X300X6U BL WCAB 10 312X300X9U WCAB 10 312X300X9U BL			DESCRIPTION:	

WCAB 10 312X300X6U  
WCAB 10 312X300X6U BL  
WCAB 10 312X300X9U  
WCAB 10 312X300X9U BL



DRAWN BY		DATE	30.03.2020	REVISION No.	
PRODUCT PART NUMBER & DESCRIPTION	PART NUMBER: WCAB 10 312X300X6U WCAB 10 312X300X6U BL WCAB 10 312X300X9U WCAB 10 312X300X9U BL			DESCRIPTION:	