

# QuSpot for RUTX10

**INTEGRATED OUTDOOR WI-FI DUAL BAND 2.4 & 5 GHZ OMNI ANTENNA +  
BLUETOOTH OMNI ANTENNA + PLACE TO INSTALL TELTONIKA RUTX10 (ALL-IN-ONE)**

QuSpot Wi-Fi antenna for Teltonika RUTx10 router is a perfect outdoor device for mobile and fixed installations like industrial, CCTV, hotspots, yachts, boats, campers, RV etc. It has embedded also Wi-Fi dual band 2.4 & 5GHz omni antenna and Bluetooth omni antenna. If you use RUTx10 with QuSpot antenna, you get an integrated complete solution with embedded router and multi band antennas in one enclosure.



## OUTDOOR

Use Teltonika router wherever you want

## ANTENNA

Maximize your signal with QuWireless antennas

## SOLUTION

Plug Teltonika router and you are good to go

**WI-FI SPECIFICATION**

---

FREQUENCY	2.40-2.50 GHz 4.70 - 6.00 GHz
GAIN	6 dBi 7 dBi
VSWR	<1.70, max <2.00 <1.70, max <2.00
BEAMWIDTH	360°/25° +/- 5° 360°/25° +/- 5°
POLARIZATION	Vertical
IMPEDANCE	50 Ω

**MECHANICAL SPECIFICATION**

---

MATERIALS	ABS, aluminum, PTFE
INGRESS PROTECTION	IP67
DIMENSIONS	160 x 160 x 240 mm 6.3 x 6.3 x 9.45 inch
WEIGHT	1.5 kg 3.31 lbs
OPERATING TEMPERATURE	From -40°C to 75°C From -40°F to 167°F

## DEVICE SPECIFICATION



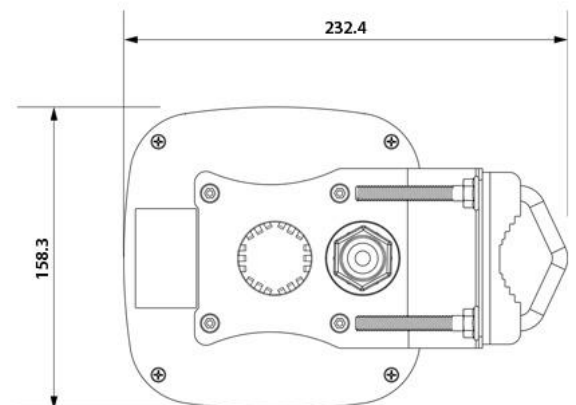
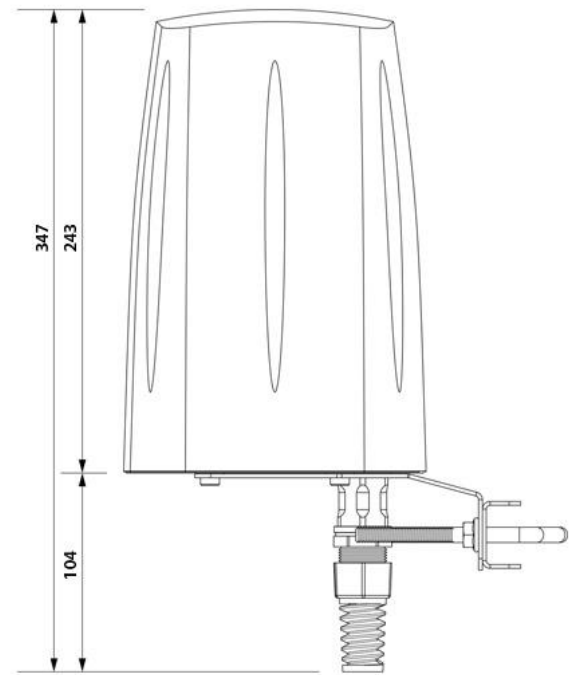
Next-Generation Teltonika Enterprise router, equipped with the Dual Band WiFi 5 802.11ac and a Bluetooth LE module. Perfect for Small office or Public sector applications. High speed WiFi connectivity allows companies to transition into all-wireless office settings.

[RUTX10 Datasheet](#)

[RUTX10 User Manual](#)

[RUTX10 Quick Start Guide](#)

## DIMENSIONS



### HEADQUARTER:

Wireless Instruments sp. z o.o.

ul. Kościuszki 27

52-116 Iwiny

POLAND

[sales@quwireless.com](mailto:sales@quwireless.com)

tel 1. +48 601 366 369

tel 2. +48 577 667 761

[www.quwireless.com](http://www.quwireless.com)